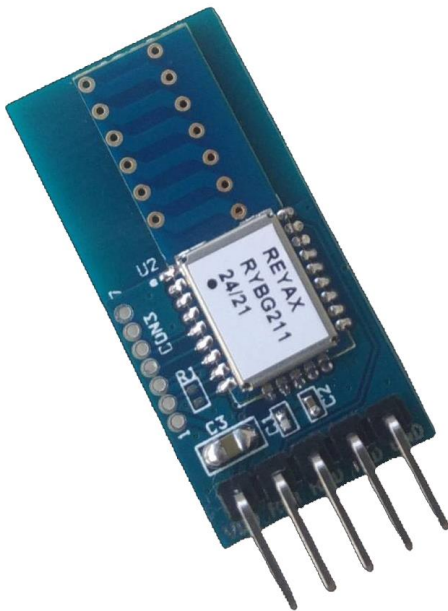


RYBG211_Lite

2.4GHz Bluetooth 5.1

High power long range module

with Integrated Antenna



PRODUCT DESCRIPTION

The RYBG211_Lite is a Bluetooth V5.1 Low Energy Module. By using the AT command which is developed by REYAX, your products could be fast and easily connected with the smartphones and all kinds of Bluetooth devices.

FEATURES

- Bluetooth V5.1 with Bluetooth Low Energy.
- SILABS 32-bit ARM® Cortex®-M33 core industry-standard chip.
- Can connect 8 Host-Client RYBG21x modules at the same time.
- Metal cover against EMI interference.
- Control easily by AT commands.
- Standard Generic Attribute Profile (GATT).
- Designed with PCB integrated antenna.

APPLICATIONS

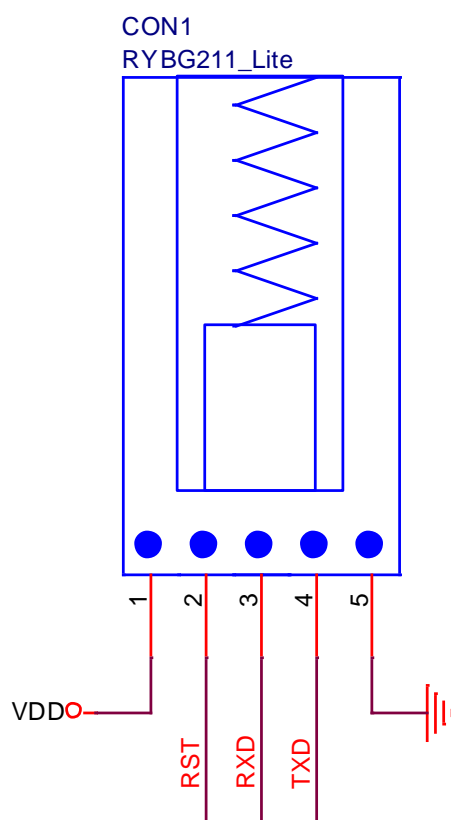
- Smart phone/Tablet accessories.
- Remote monitoring and control.
- Smart home.
- Indoor positioning.

APPROVED CERTIFICATIONS

SPECIFICATION

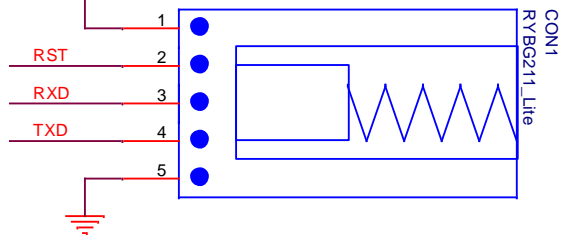
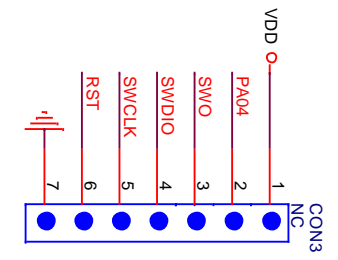
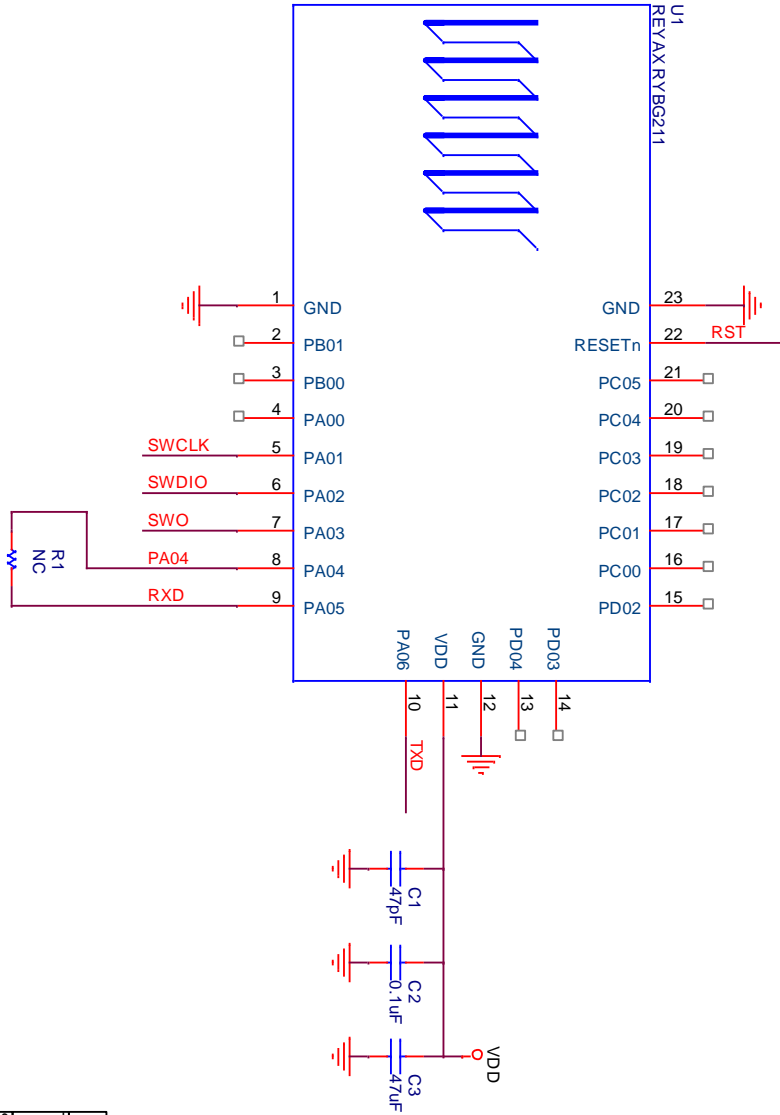
Item	Min.	Typical	Max.	Unit	Condition
Operation Voltage	1.71	3.3	3.8	V	VDD
RF Output Power		18.5	20	dBm	
Active Current		185	200	mA	
Advertising Average Current		6		mA	
Sleep Current				uA	
Wake Up Time		63		ms	
UART Baud Rate		9600	115200	bps	
RF Frequency Range	2400		2483.5	MHz	
Flash erase cycles		10		K	Cycles
Operating Temperature	-40	25	+85	°C	
Antenna					Internal Antenna
Weight		1.8		g	

PIN DESCRIPTION



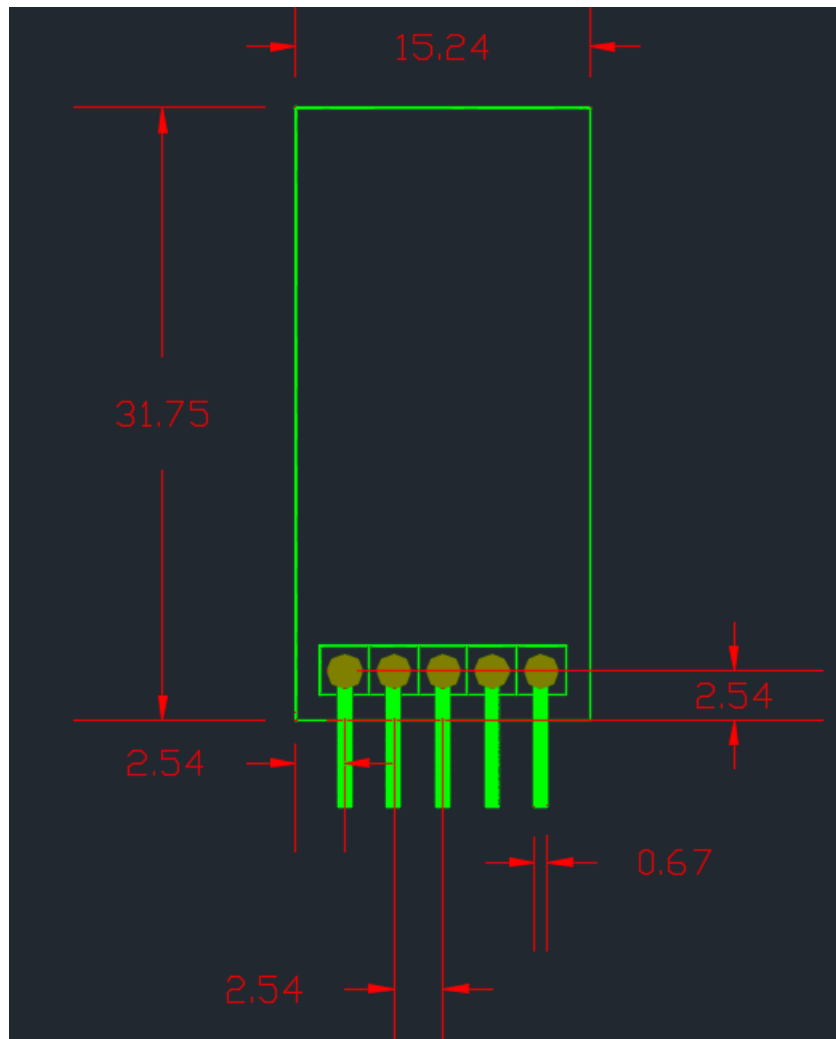
Pin	Name	I/O	Condition
1	VDD	I	Power Supply
2	RST	I	Low Reset
3	RXD	I	UART Data Input
4	TXD	O	UART Data Output
5	GND	-	Ground

RYBG211_Lite SCHEMATIC



Title		RYBG211_Lite	
Size		Document Number	
Date:		Custom <Doc>	
Date:		Thursday, June 17, 2021	
Sheet		1 of 1	
Rev		1.0	

DIMENSIONS



Unit : mm

REYAX
TECHNOLOGY CORPORATION, LTD

Taiwan: sales@reyax.com
China: sales@reyax.com.cn
<http://reyax.com>