



SERIES W12M
SERIES WS12M
SERIES WG12M
- PUSHBUTTON SWITCHES

Series W12M

KEY FEATURES

- Size: 12mm
- Momentary / Maintained Action
- Stainless Steel/ Aluminum Housing
- Circuitry: SPST
- Operation temperature: -40 ~ 75°C
- Gold / Silver Plated Contacts
- IP67 Water Proof

APPLICATIONS

- Communications
- Hand-held Control Modules
- Security Equipment
- Food Processing
- Industrial Machinery
- Transportation: Mass-transit, Lift Truck

ORDERING INFORMATION

W 12M - - - - - -

Series:	Switch Function:	Bezel Material / Color :	Button Material / Color :	Illumination Type :	LED Color:	Voltage Resistor:
Blank Gold Plated	A Momentary, Wireleads	1 Stainless, Natural	1 Stainless, Natural	0 Ring Illumination, Flat Button *	N None	If Blank*** 05 5V Forward 12 12V Forward**** 24 24V Forward****
	B Maintained, Wireleads	2 Zinc Alloy, Velour Chrome Plated			G Green	
	E Momentary, Solder Terminal	K Aluminum Alloy, Anodized Black			R Red	
	F Maintained, Solder Terminal	R Aluminum Alloy, Anodized Red			A Amber	
	G Momentary, PC Terminal	S Aluminum Alloy, Anodized Silver			B Blue	
	H Maintained, PC Terminal				W White	
S Silver Plated	A Momentary, Wireleads			2 Ring Illumination, Flat Button**	Y Yellow	
	B Maintained, Wireleads			H Ring Illumination, Raised Button**	RB Red / Blue	
	1 Momentary, Solder Terminal				RG Red / Green	
	2 Maintained, Solder Terminal					
	5 Momentary, PC Terminal					
	H Maintained, PC Terminal					
G Silver Plated/2A	A Momentary, Wireleads					
	B Maintained, Wireleads					
	1 Momentary, Solder Terminal					
	2 Maintained, Solder Terminal					

***Current limiting resistor is required to limit LED forward current to 20mA.(not included)
 ****12 and 24V resistors are available with wirelead versions only.

SERIES W12M - PUSHBUTTON SWITCHES



MECHANICAL CHARACTERISTICS

- Switch Circuitry:** SPST-NO-DB (Form X)
- Switch Action:** Momentary / Maintained
- Operating Force (Nominal):** 3N [306g]
- Button Travel (Nominal):** 0.099inches [2.5mm]
- Contact Bounce:** 1ms Nominal
- Panel Thickness:** 0.020" - 0.236" [0.5 - 6.0mm]
- Nut Torque Force:** Max. 5.2 lb-in [6 kgf-cm]
- Current Ratings (Momentary):**
 - 12M Series:** 250mA@12VDC, 100k Cycles
150mA@28VDC, 150k Cycles
100mA@48VDC, 100k Cycles
10mA@12VDC, 1000k Cycles
 - S12M Series:** 10mA@12VDC, 200k Cycles
 - G12M Series:** 2A@24VDC, 40k Cycles
1A@250VAC, 40k Cycles
- Current Ratings (Maintained):**
 - 12M Series:** 50,000 Cycles Nominal
 - S12M Series:** 20,000 Cycles Nominal
 - G12M Series:** 2A@24VDC, 20k Cycles
1A@250VAC, 20k Cycles

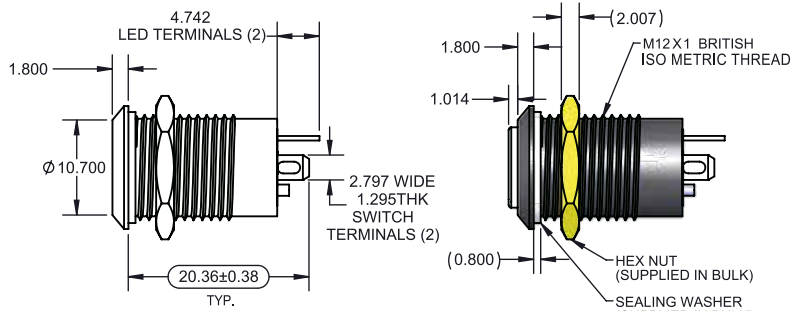
ENVIROMENTAL SPECIFICATIONS

- Operating Temperature:**
 - Non-illumination type:** -40°F to +185°F (-40°C to +85°C)
 - Illumination type:** -13°F to +185°F (-25°C to +85°C)
- Water Proof:** IP67 (Front Panel)

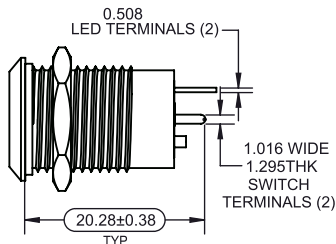
ELECTRICAL SPECIFICATIONS

- Dielectric Strength:** 1,000VAC
- Insulation Resistance:** 1G Ω
- Contacts Resistance:** Max. 50 m Ω (Initial)

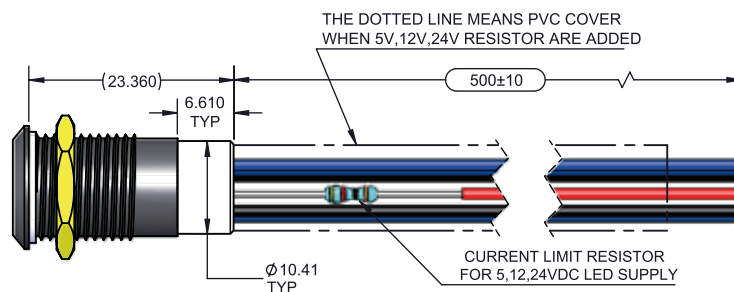
Solder Terminal



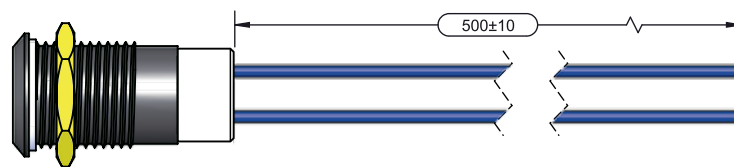
P.C. Terminal



Illumination



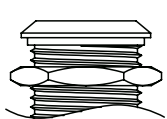
Non-Illumination



Maintained Type



Momentary Type



RECOMMENDED PANEL CUT-OUT	
PANEL THICKNESS	0.040~0.236" [1.0~6.0 mm]
NUT TORQUE FORCE	Max. 5.2 lb-in [6 kgf-cm]

LED CODE	LED COLOR		CIRCUITRY	Vf (VDC)		If (mA)
	COLOR 1	COLOR 2		COLOR 1	COLOR 2	
R	RED	-		1.6~2.0	-	20
A	AMBER	-		1.6~2.0	-	20
Y	YELLOW	-		1.6~2.0	-	20
G	GREEN	-		2.8~3.4	-	20
B	BLUE	-		2.8~3.4	-	20
W	WHITE	-		2.8~3.4	-	20
RB	RED	BLUE		1.6~2.0	2.8~3.4	20
RG	RED	GREEN		1.6~2.0	2.8~3.4	20