

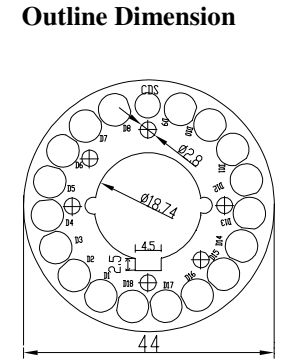
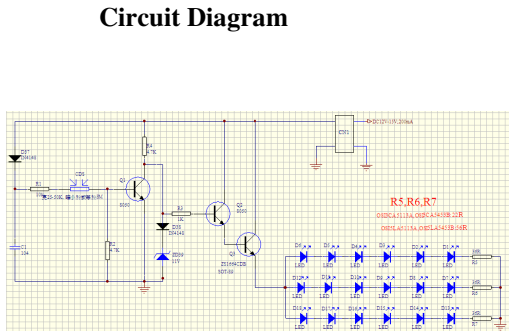
18 x IR LED Module
OSFKS5XX

Descriptions:

- IR Power On –CDS Auto Control
- Wavelength available in 850nm / 940nm
- Superior UV Resistance
- 0 Lux with IR LED ON. Adopt high Radiant Power IR LED, having very good night-vision effect
- Voltage available in **DC12V**
- Diameter(outer):44mm
- Diameter(inner): 18.75mm
- Height: 9mm

Application:

- Pickup device
- CCTV camera, IR camera
- Monitoring devices. Remote controlling



Unit: mm
Tolerance: ±0.5

Typical Performance (Ta=25°C)

| Items | Symbol | Min. | Typ. | Max. | Units |
|-----------------------|--------|------|------|------|-------|
| LED Module Power | Pm | - | 1.7 | 2.9 | w |
| Input Voltage(DC) | Vi | - | 12 | 15 | V |
| Input Current | If | - | 0.13 | 0.19 | A |
| Operating Temperature | Topr | -30 | - | 85 | °C |
| Storage Temperature | Tstg | -40 | - | 100 | °C |
| LED Quantity | QTY | | 18 | | PCS |

Device Selection Guide

| Module No. | LED Type | Wavelength (Typ.) | LED Module Beam Angle | Radiant Intensity |
|------------|----------------|-------------------|-----------------------|-------------------|
| OSFKS5CS | 5mm Round | 850nm | 60 deg | 40 mW/Sr |
| OSFKS5CC | 5.0x4.1mm Oval | 850nm | 120 deg | 30 mW/Sr |
| OSFKS5JS | 5mm Round | 940nm | 60 deg | 45 mW/Sr |
| OSFKS5JC | 5.0x4.1mm Oval | 940nm | 120 deg | 35 mW/Sr |


Descriptions:

- IR Power On –CDS Auto Control
- Wavelength available in 850nm / 940nm
- Superior UV Resistance
- 0 Lux with IR LED ON. Adopt high Radiant Power IR LED, having very good night-vision effect
- Voltage available in **DC12V**
- Diameter(outer): 52.5mm
- Diameter(inner): 18.75mm
- Height: 12mm

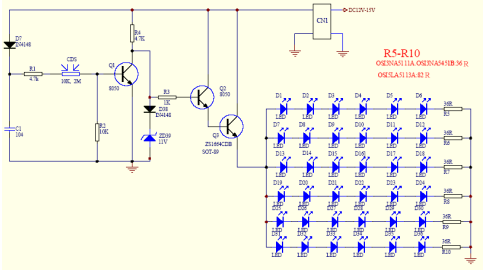
Application:

- Pickup device
- CCTV camera, IR camera
- Monitoring devices. Remote controlling

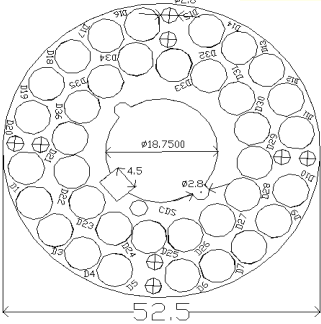
Photo



Circuit Diagram



Outline Dimension



Unit: mm

Typical Performance (Ta=25°C)

| Items | Symbol | Min. | Typ. | Max. | Units |
|-----------------------|--------|------|------|------|-------|
| LED Module Power | Pm | - | 2.4 | 3.9 | w |
| Input Voltage(DC) | Vi | - | 12 | 15 | V |
| Input Current | If | - | 0.2 | 0.26 | A |
| Operating Temperature | Topr | -30 | - | 85 | °C |
| Storage Temperature | Tstg | -40 | - | 100 | °C |
| LED Quantity | QTY | | 36 | | PCS |

Device Selection Guide

| Module No. | LED No. | LED Type | Wavelength(Typ.) | LED Module Beam Angle |
|------------|-------------|----------------|------------------|-----------------------|
| FRS5CT | OSI3CA5203A | 5mm Bullet | 850nm | 30 deg |
| FRS5CS | OSI3CA5113A | 5mm Round | 850nm | 60 deg |
| FRS5CC | OSI3CA5453B | 5.0x4.1mm Oval | 850nm | 120 deg |
| FRS5JT | OSI5LA5203A | 5mm Bullet | 940nm | 30 deg |
| FRS5JS | OSI5LA5113A | 5mm Round | 940nm | 60 deg |
| FRS5JC | OSI5LA5453B | 5.0x4.1mm Oval | 940nm | 120 deg |