

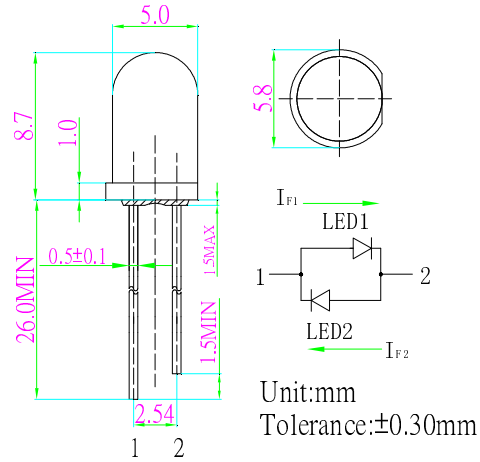
**■Features**

- High Luminous AC LEDs
- 5mm Round Standard Directivity
- Long Lifetime Operation
- UV Resistant Epoxy/ White Diffused Type
- Bi-polar Type

**■Applications**

- Toys
- Audio
- Indications
- General Use

**■Outline Dimension**

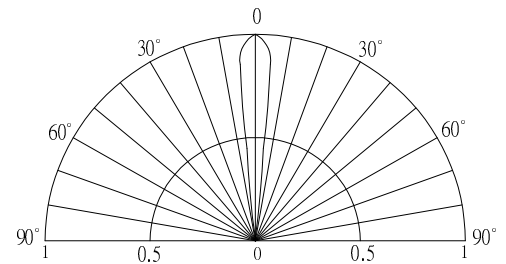


**■Absolute Maximum Rating**

(Ta=25°C)

Item	Symbol	Value		Unit
		W/M/B/PG	YG/Y/O/R	
DC Forward Current	I <sub>F</sub>	30	30	mA
Pulse Forward Current#	I <sub>FP</sub>	100	100	mA
Reverse Voltage	V <sub>R</sub>	5	5	V
Power Dissipation	P <sub>D</sub>	108	78	mW
Operating Temperature	Topr	-30 ~ +85		°C
Storage Temperature	Tstg	-40~ +100		°C
Lead Soldering Temperature	Tsol	260°C/5sec		-

**■Directivity**



#Pulse width Max.10ms Duty ratio max 1/10

Part Number	Color	Symbol	V <sub>F</sub> (V)*			I <sub>R</sub> (μA)	I <sub>v</sub> (mcd)*			λD(nm)*			θ1/2(deg)	
			Min.	Typ.	Max.		Max.	Min.	Typ.	Max.	Min.	Typ.		Max.
			I <sub>F</sub> =20mA				V <sub>R</sub> =5V	I <sub>F</sub> =20mA						
OSWWD25112A	Cool White	W	2.8	3.1	3.6	10	5800	7000	-	*CCT: 8000-18000K			15	
OSMMD25112A	Warm White	M	2.8	3.1	3.6	10	4200	5800	-	*CCT:2700-3200K			15	
OSBBS25112A	Blue	B	2.8	3.1	3.6	10	2180	3000	-	465	465	475	15	
OSGGD25112A	Pure Green	PG	2.8	3.1	3.6	10	5800	7000	-	520	525	530	15	
OSGGH25112A	Yellow Green	YG	1.8	2.1	2.6	10	750	1120	-	565	570	575	15	
OSYYJ25112A	Yellow	Y	1.8	2.1	2.6	10	1560	2180	-	585	590	595	15	
OSOOJ25112A	Orange	O	1.8	2.1	2.6	10	1560	2180	-	600	605	610	15	
OSRRJ25112A	Red	R	1.8	2.1	2.6	10	1560	2180	-	620	625	630	15	

\*1 Tolerance of measurements of forward voltage is±0.1V

\*2 Tolerance of measurements of dominant wavelength is ±1nm

\*3 Tolerance of measurements of luminous intensity is ±15%

\*4 Tolerance of measurements of color temperature is +10%