

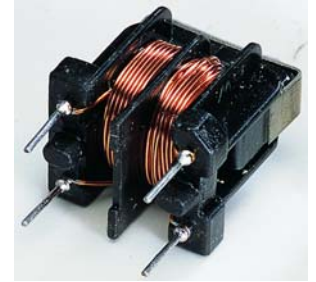


TR14105160DV Series

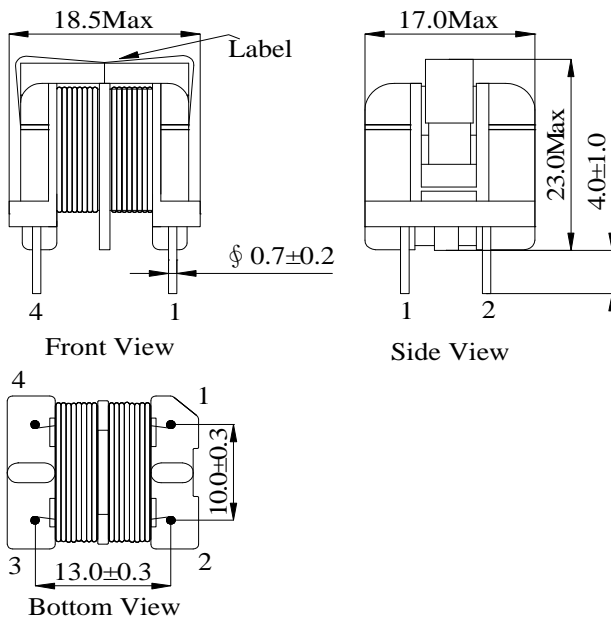


1.FEATURES:

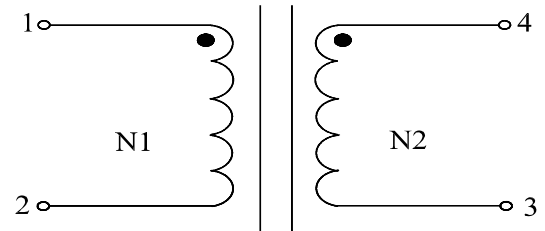
- 18.5×17.0mm Max.(L×W), 23.0mm Max. Height.
- Inductance range: 3.3mH~51mH.
- Rated current up to 0.65 Amp.
- Custom values are welcomed.
- Ideally used as AC common mode noise filter for TV, VCR,
Switching power supply, PC&PC related advice, measurement
attenuation and control unit with better characteristics in low frequency band.



2.MECHANICAL DIMENSIONS(UNIT:mm)



3.SCHEMATIC



NOTES: " • " START OF WINDING

4. Electrical Characteristic of TR14105160DV Series:

Part Number	Inductance mH (Min.) (1-2) (4-3) @1KHz	Inductance Balance (between winding) (mH Max.)	DC Resistance Ω (Max) @20 °C (1-2) (4-3)	Rated Current (mA)
TR14105160DV004HF	3.3	0.100	0.71	650
TR14105160DV005HF	6.8	0.200	1.26	430
TR14105160DV006HF	12.0	0.360	2.20	340
TR14105160DV007HF	22.0	0.440	3.64	250
TR14105160DV008HF	33.0	0.660	5.74	200
TR14105160DV009HF	51.0	1.000	9.12	150

1.Rated current: The AC current at which the temperature rise is $\Delta t=40^{\circ}\text{C}$.($T_a=25^{\circ}\text{C}$).

• Taiwan 886 2 2698 9699 • Dongguan 86 769 8791 5567 • Suzhou 86 512 6832 1472
Sales@easymagnet.com.tw www.easymagnet.com.tw Rev. A, Feb. 01, 2012