

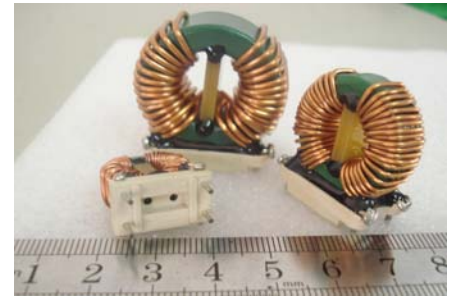


TB Series



1. Features:

- Single wire wound.
- Excellent EMI suppression capability over wide frequency spectrum.
- High current capacity.
- Dielectric strength: 1500Vrms.
- Coil mount on UL94-V0 rated plastic header.
- Fixed pin spacing allow easy PCB insertion.
- Operating Temperature Range: -55°C to + 105°C , RoHS & HF compliance.



2. Mechanical Dimension(Unit:mm):

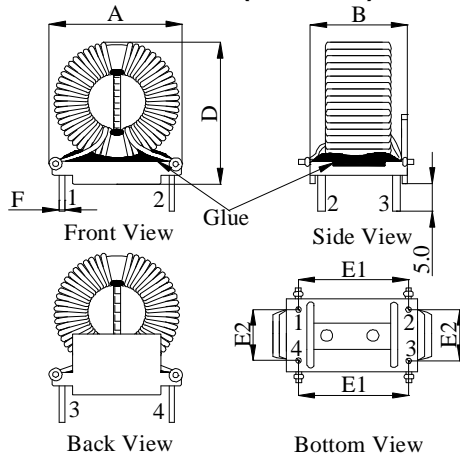


Fig.1

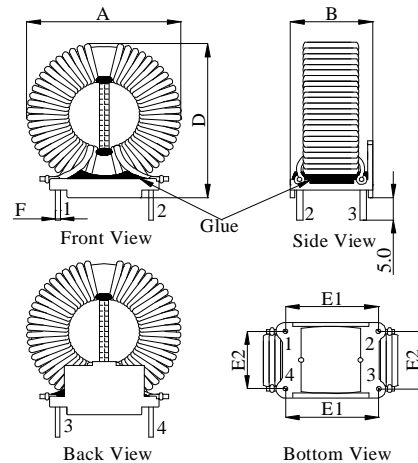


Fig.2

3. Electrical Characteristic of TB Series:

Part Number	L(mH) Min @1KHz	Irate (A) Max	DCR (Ω) Max	Dim. A Max	Dim. B Max	Dim. D Max	Dim. E1 ±0.4	Dim. E2 ±0.4	Dim. F ±0.1	Fig.
TB16X12X7C-102YHF	1.0	4.8	0.022	19.30	12.50	22.86	15.24	6.35	1.00	1
TB16X12X7C-252YHF	2.5	2.4	0.090	19.30	12.50	22.86	15.24	6.35	1.00	1
TB16X12X7C-402YHF	4.0	1.7	0.173	19.30	12.50	22.86	15.24	6.35	1.00	1
TB25X15X8C-102YHF	1.0	10.0	0.010	30.48	15.50	30.48	20.32	10.16	1.27	2
TB25X15X8C-202YHF	2.0	6.6	0.022	30.48	15.50	30.48	20.32	10.16	1.27	2
TB25X15X8C-502YHF	5.0	3.7	0.070	30.48	15.50	30.48	20.32	10.16	1.27	2
TB25X15X8C-702YHF	7.0	2.8	0.120	30.48	15.50	30.48	20.32	10.16	1.27	2
TB25X15X8C-103YHF	10.0	2.4	0.170	30.48	15.50	30.48	20.32	10.16	1.27	2
TB31X19X13C-122YHF	1.2	16.0	0.006	38.10	20.60	38.86	22.86	15.24	1.27	2
TB31X19X13C-252YHF	2.5	12.5	0.011	36.83	20.60	38.10	22.86	15.24	1.27	2
TB31X19X13C-502YHF	5.0	8.9	0.022	36.83	20.60	38.10	22.86	15.24	1.27	2
TB31X19X13C-802YHF	8.0	5.6	0.055	36.83	20.60	36.83	22.86	15.24	1.27	2
TB31X19X13C-123YHF	12.0	4.0	0.110	34.29	20.60	36.83	22.86	15.24	1.27	2
TB31X19X13C-203YHF	20.0	3.0	0.210	34.29	20.60	36.83	22.86	15.24	1.27	2
TB31X19X13C-303YHF	30.0	2.3	0.330	34.29	20.60	36.83	22.86	15.24	1.27	2
TB37X22X15C-102YHF	1.0	20.0	0.007	43.18	23.50	41.91	30.48	17.78	1.27	2
TB37X22X15C-242YHF	2.4	17.0	0.008	43.18	23.50	41.91	30.48	17.78	1.27	2
TB37X22X15C-402YHF	4.0	14.5	0.012	43.18	23.10	42.50	30.48	17.78	1.27	2
TB37X22X15C-732YHF	7.3	9.3	0.032	43.18	20.60	42.50	22.86	15.24	1.27	2
TB37X22X15C-363YHF	36.0	2.9	0.300	41.90	20.60	42.50	22.86	15.24	1.27	2
TB37X22X15C-503YHF	50.0	2.3	0.450	41.90	20.60	42.50	22.86	15.24	1.27	2

Notes: 1. Irate is defined as the applied current level that causes 35 °C temperature rise without force air flow.



TB Series



4. Impedance vs. Frequency Curve:

