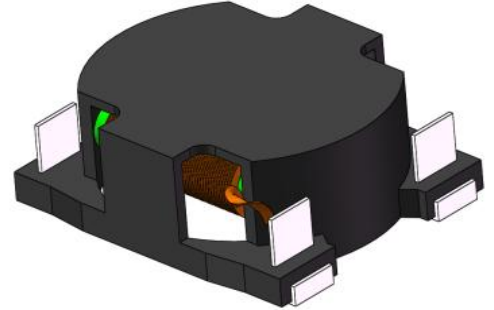


# FCM332813SH Series

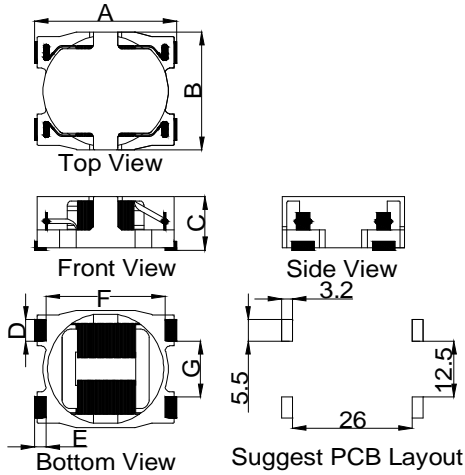


## 1. Features:

- 33.0×28.0mm Max.(L×W),13.0mm Max Height,SMD structure.
- Single-layer flat wire design which can reduce high-frequency noise and skin effect loss.
- Inductance range:6.0mH~15mH,Custom values are welcomed.
- Ideally used as AC common mode noise filter for TV, VCR, Switching power supply, PC & PC related advice, measurement and control unit with better attenuation characteristics in high frequency band.
- Dielectric strength:1800Vrms,winding to winding.
- Insulation Resistance:100MΩ Min (Coil to core) at 500Vdc.
- Operating temperature:-25 to +105℃,RoHS & HF compliance.
- T&R Qtys:130 Pcs,13" Reel.



## 2. Mechanical Dimension (Unit:mm):



Unit in mm:

A	B	C	D	E	F	G
Max	Max	Max	±0.2	±0.2	±0.3	±0.3
33.0	28.0	13.0	5.0	2.5	26.6	13.0

## 3. Electrical Characteristic of FCM332813SH Series :

Part Number	L (mH) Min.	I <sub>rated</sub> (A) Max.	L <sub>stray</sub> (uH) Typ.	DCR (Ω) Max.
FCM332813SH-602YHF	6.0	3.20	60.0	0.053
FCM332813SH-103YHF	10.0	2.00	115.0	0.128
FCM332813SH-153YHF	15.0	1.50	180.0	0.220

### Test Condition( at 25℃):

- 1.Open Circuit Inductance (OCL) measured at 1KHz, 0.1Vrms,0Amp.
- 2.Stray inductance(L<sub>stray</sub>)measured at 1KHz,0.1Vrms.
- 3.I<sub>rated</sub> is defined as the applied current level that cause 40 °C temperature rise without force air flow.
- 4.Impedance measures with both windings in parallel and at ambient temperature(25℃).

## 4. Impedance vs. Frequency Curve:

