



DCM372645VC Series

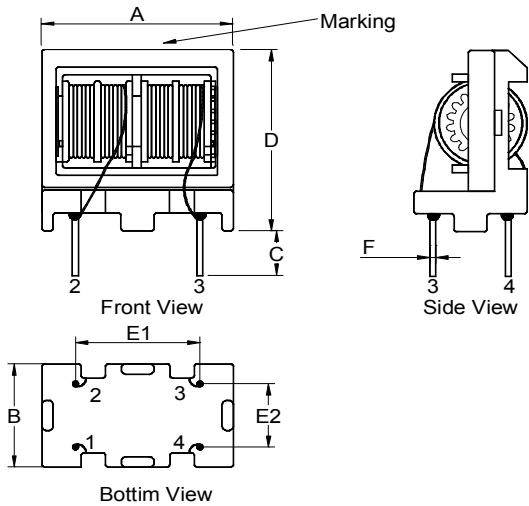


1. Features:

- 37.0×26.0mm Max.(L×W), 45.0mm Max. Height.
- Inductance range: 3.5mH~90mH, Custom values are welcomed.
- Ideally used as AC common mode noise filter for TV, VCR, Switching Mode Power Supply, Inverter & Industrial Equipment Applications. attenuation and control unit with better characteristics in low frequency band.
- Dielectric strength: 1500Vrms, winding to winding.
- UL Class B Compliance Common Mode Chokes.
- Operating temperature: -55 to +105°C, RoHS & HF compliance.



2. Mechanical Dimension (Unit:mm):



Unit in mm:

A	B	C	D	E1	E2	F
Max	Max	±0.5	Max	±0.5	±0.5	±0.1
37.0	26.0	4.0	45.0	21.0	15.0	1.2

3. Electrical Characteristic of DCM372645VC Series :

Part Number	L	I _{rate}	DCR
	(mH) Min	(A) Max	(Ω) Max
DCM372645VC-352YHF	3.5	8.20	0.045
DCM372645VC-103YHF	10.0	4.90	0.130
DCM372645VC-223YHF	22.0	3.70	0.230
DCM372645VC-473YHF	47.0	2.60	0.460
DCM372645VC-683YHF	68.0	2.20	0.660
DCM372645VC-903YHF	90.0	1.85	0.910

Test Condition:

1. Open Circuit Inductance (OCL) measured at 10KHz, 0.1Vrms, 0 Amp at at 25°C.
2. I_{rate} is defined as the applied current level that cause 35 °C temperature rise without force air flow.
3. Impedance measures with both windings in parallel and at ambient temperature(25°C).

4. Impedance vs. Frequency Curve:

