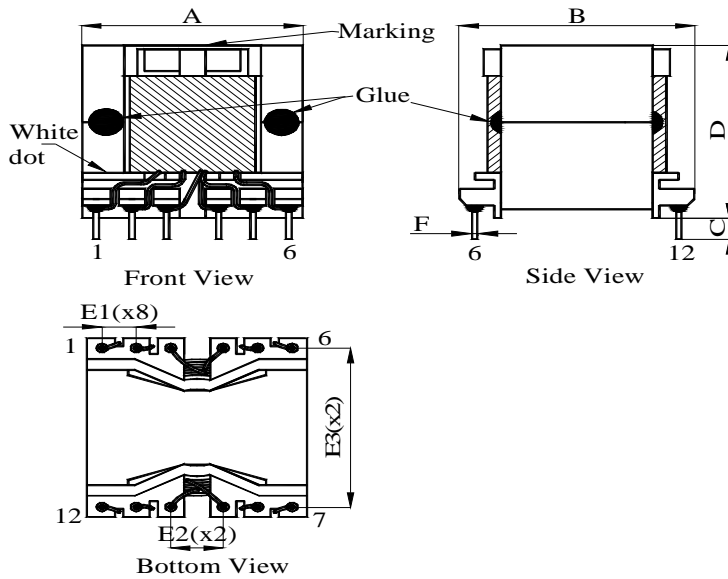




CUSTOMER		REV NO	1.0
DESCRIPTION	PQ3230 flyback transformer	PAGE NO	1 of 3
PART NO	TR01320304DV003HF	DATE	2013/8/14

1.CONFIGURATIONS & DIMENSIONS:

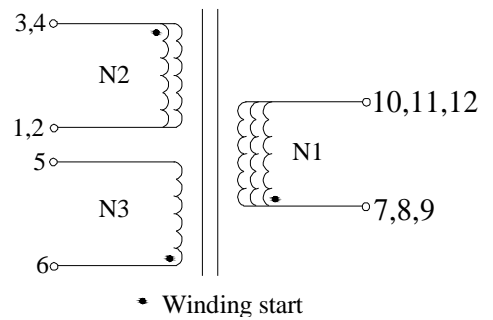


A	34.0	Max.	mm
B	35.0	Max.	mm
C	4.0	± 0.5	mm
D	35.0	Max.	mm
E1	5.05	± 0.5	mm
E2	7.6	± 0.5	mm
E3	30.3	± 0.5	mm
F	0.8	± 0.1	mm
G			

2.ELECTRICAL CHARACTERISTICS:

TEST CONDITION	at 25°C			
10KHz 0.25V	L(3,4-1,2)	300.00	uH	± 10%
10KHz 0.25V ; Short other Pin	Lk(3,4-1,2)	15.0	uH	MAX
Ta@25°C	DCR(3-1)	130.0	mΩ	MAX
	DCR(4-2)	130.0	mΩ	MAX
	DCR(6-5)	25.00	mΩ	MAX
	DCR(7-10)	15.0	mΩ	MAX
	DCR(8-11)	15.0	mΩ	MAX
	DCR(9-12)	15.0	mΩ	MAX
HI-POT TEST	PRI TO SEC	AC 2.5KV 5mA 1S 50/60Hz		
	PRI ,SEC TO CORE	AC 1.0KV 5mA 1S 50/60Hz		

3.SCHEMATIC DIAGRAM



Notes: Operating temperature: -40°C ~ +125°C

4.TEST INSTRUMENTS

L&Lk: WK3260A.
DCR:Gain Kai Ta 502BCOHM.
HI-POT: CH19053.

● Taiwan 886 2 2698 9699 ● Dongguan 86 769 8791 5567 ● Suzhou 86 512 6832 1472

Sales@easymagnet.com.tw www.easymagnet.com.tw



CUSTOMER		REV NO	1.0
DESCRIPTION	PQ3230 flyback transformer	PAGE NO	2 of 3
PART NO	TR01320304DV003HF	DATE	2013/8/14

5. TEST DATA FOR MECHANICAL

TEST ITEM	A	B	C	D	E1	E2	E3	F	G	H	I
	mm	mm	mm	mm	mm	mm	mm	mm	mm	mm	mm
SPEC	34.0	35.0	4.0 ±	35.0	5.05 ±	7.6 ±	30.3 ±	0.8 ±			
	Max.	Max.	0.5	Max.	0.5	0.5	0.5	0.1			
1	32.34	34.04	3.99	33.03	5.01	7.54	30.38	0.76			
2	32.33	34.23	3.73	33.06	5.01	7.46	30.25	0.81			
3	32.16	33.89	3.82	33.21	5.09	7.47	30.27	0.79			
4	32.36	34.02	4.12	33.29	4.96	7.57	30.28	0.80			
5											
6											
7											
8											
9											
10											
AVERAGE	32.30	34.05	3.92	33.15	5.02	7.51	30.30	0.79			

REMARK:

● Taiwan 886 2 2698 9699 ● Dongguan 86 769 8791 5567 ● Suzhou 86 512 6832 1472

Sales@easymagnet.com.tw www.easymagnet.com.tw



CUSTOMER		REV NO	1.0
DESCRIPTION	PQ3230 flyback transformer	PAGE NO	3 of 3
PART NO	TR01320304DV003HF	DATE	2013/8/14

6. TEST DATA FOR ELECTRICAL

TEST ITEM	L(3,4-1,2) uH	Lk(3,4-1,2) uH	DCR(3-1) mΩ	DCR (4-2) mΩ	DCR (6-5) mΩ	DCR(7-10) mΩ	DCR(8-11) mΩ	DCR(9-12) mΩ	HI-POT TEST
CON.	10KHz 0.25V	10KHz 0.25V ; Short other Pin	Ta@25°C						PRI TO SEC or PRI ,SEC TO CORE
SPEC	300.0 ± 10%	15.0 MAX	130.0 MAX	130.0 MAX	25.0 MAX	15.0 MAX	15.0 MAX	15.0 MAX	AC 2.5KV 5mA 1S 50/60Hz or AC 1.0KV 5mA 1S 50/60Hz
1	299.78	3.73	103.54	102.48	17.70	10.88	11.09	10.64	PASS
2	296.86	5.41	102.57	102.52	17.33	10.48	10.24	10.28	PASS
3	302.68	5.36	103.49	104.00	17.58	10.67	10.76	10.74	PASS
4	299.98	4.24	103.70	103.58	17.30	10.50	10.85	10.94	PASS
5									
6									
7									
8									
9									
10									
AVERAGE	299.83	4.68	103.33	103.15	17.48	10.63	10.74	10.65	N/A
R	5.82	1.68	1.13	1.52	0.40	0.40	0.85	0.66	N/A

REMARK:

● Taiwan 886 2 2698 9699 ● Dongguan 86 769 8791 5567 ● Suzhou 86 512 6832 1472

Sales@easymagnet.com.tw www.easymagnet.com.tw