



120x120x32mm

- **Airflow:** 23.0~47.5 CFM
- **Static Pressure:** 8.0~41.7 mm-H₂O
- **Blade / Housing:** Plastic Material UL 94V-0 P.B.T.
- **Lead Wire:** UL1007 #22 AWG
- **Weight:** 258.5 g

Model No.	Bearing	Rated Voltage	Operating Voltage Range	Speed	Max. Airflow	Max. Static Pressure	Current	Power Consumption	Life at 40°C L10	P-Q Curve	Noise Level
		VDC	VDC	RPM	CFM	mm-H ₂ O	mA	W	Hour		dB(A)
BD121232LB	2B	12	7~13.2	1700	23.0	8.0	150	1.80	80000	5	42.5
BD121232MB	2B		7~13.2	2100	29.5	13.8	250	3.00	80000	4	49.5
BD121232HB	2B		7~13.2	2600	37.2	24.7	700	8.40	75000	3	57.0
BD121232EB	2B		7~13.2	2900	41.4	29.0	900	10.80	65000	2	59.0
BD121232UB	2B		7~13.2	3500	47.5	41.7	1500	18.00	65000	1	62.0
BD241232LB	2B	24	12~26.4	1700	23.0	8.0	120	2.88	80000	5	42.5
BD241232MB	2B		12~26.4	2100	29.5	13.8	180	4.32	80000	4	49.5
BD241232HB	2B		12~26.4	2600	37.2	24.7	260	6.24	75000	3	57.0
BD241232EB	2B		12~26.4	2900	41.4	29.0	450	10.80	65000	2	59.0
BD241232UB	2B		12~26.4	3500	47.5	41.7	830	19.92	65000	1	62.0

2B: 2-ball bearing L: sintetico bearing S: sleeve bearing

Voltage Available

05 12 24 48

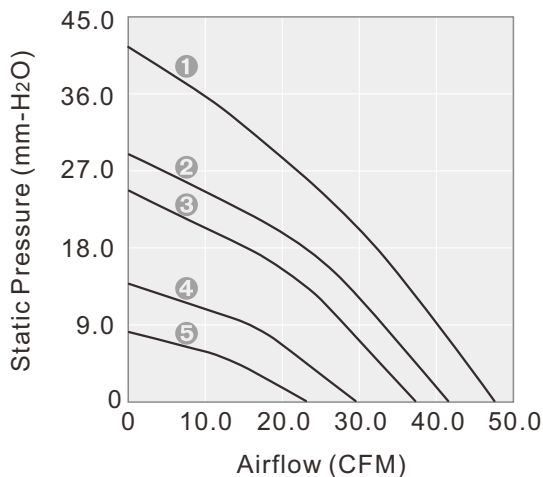
Bearing System Available

2B L S

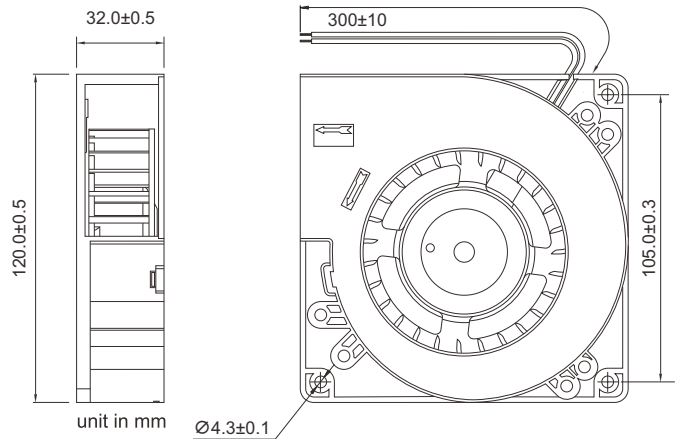
Function Available

N A I F R Q S T M V C P D W U

PERFORMANCE P-Q CURVE



OUTLINE DIMENSIONS



Please refer to *Model Numbering System* for bearing, function and speed level indication. Specifications are subject to changes without notice. Please refer to the formally issued product specification via contacting Y.S. TECH sales department. Visit Y.S. TECH web site at <http://www.ystech.com.tw> for updated information. Customized Specifications are designed accordingly