

7,000V Surface Mount Multiplier

Original Released: 02-27-17

0 μ A - 50.0 μ A • 14 Stages

ELECTRICAL CHARACTERISTICS AND MAXIMUM RATINGS

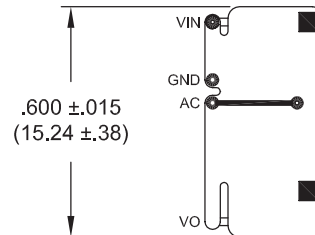
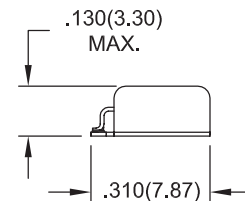
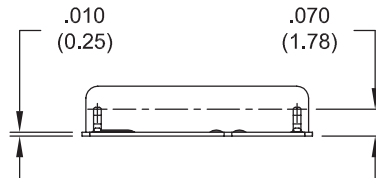
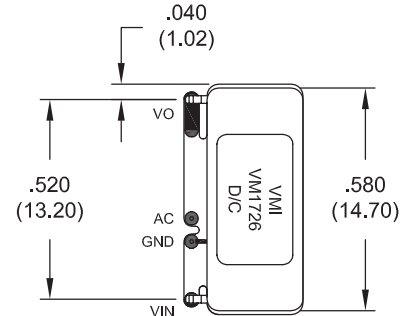
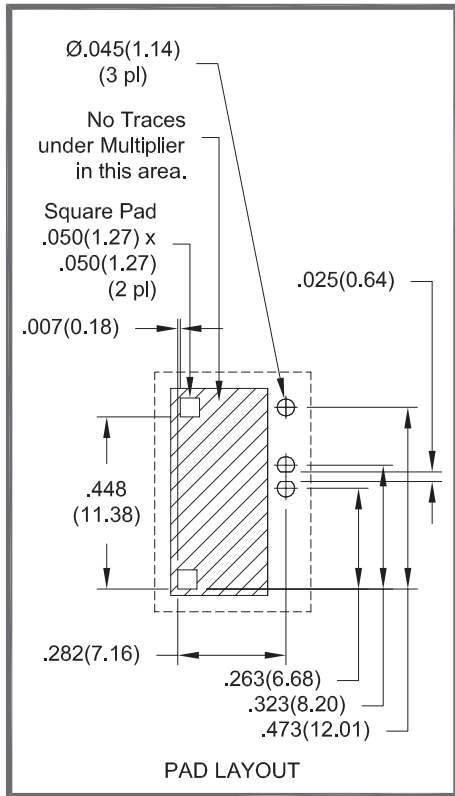
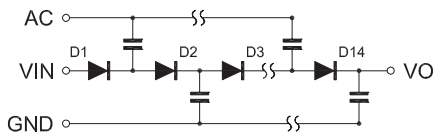
Part Number	Maximum A.C. Input Voltage	Maximum D.C. Output Voltage (One Multiplier) (2)	Maximum D.C. Output Voltage (Two Multipliers in Series or Floating) (2)	Typical Output Current Range (1)	Typical Frequency	Number of Stages
	V _{PP}	V _{DC}	V _{DC}	μ A	kHz	
VM1726	1200	7000	+ 7000	0 - 50.0	10 - 100	14

Operating Temp: -55°C to +150°C Storage Temp. -65°C to +150°C

(1) Refer to load lines on next page (2) Over-encapsulation recommended when operating at, or near, rated DC output voltages.

Plating:
Electroless Nickel / Immersion Gold
(ENIG) per IPC-4552.

Tolerance:
.XXX \pm .010



Dimensions: In. (mm) • All temperatures are ambient unless otherwise noted. • Data subject to change without notice.



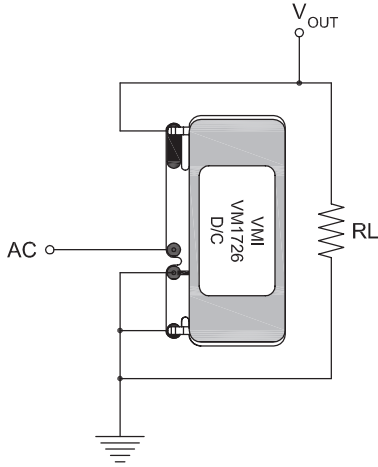
Voltage Multipliers Inc.

8711 W. Roosevelt Ave.
Visalia, CA 93291 USA

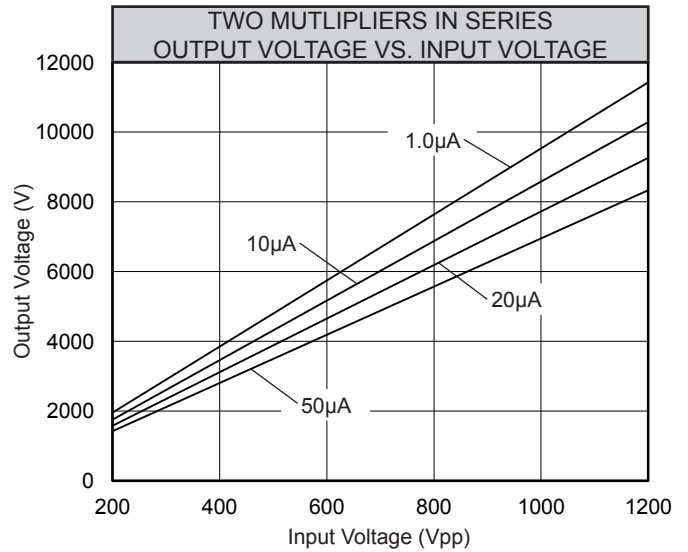
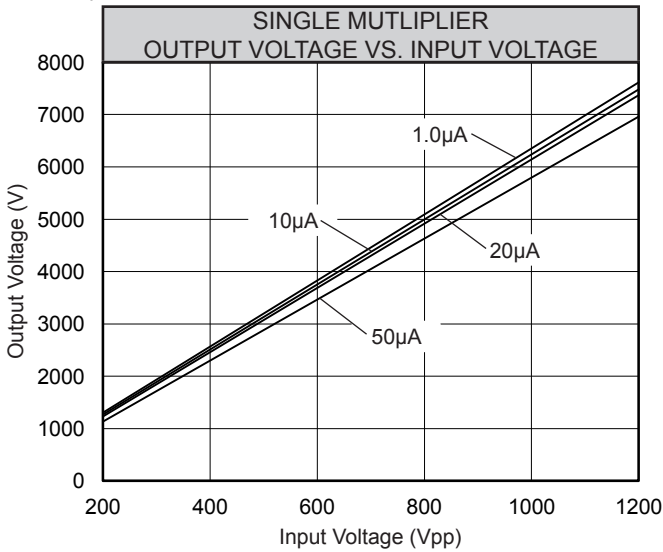
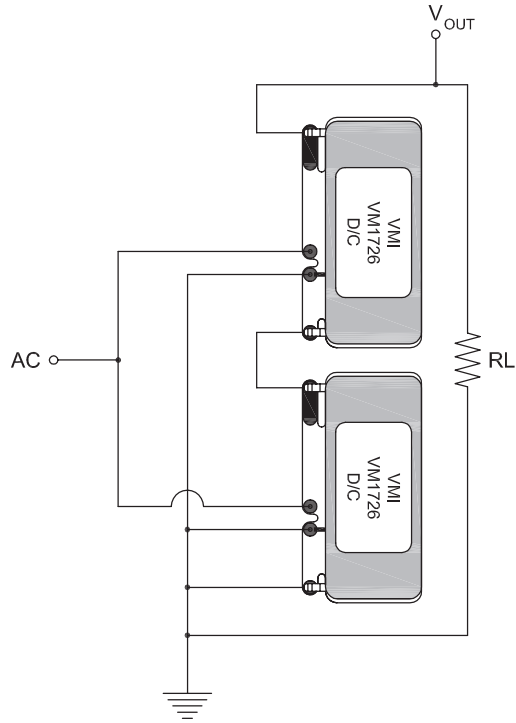
Tel: 559.651.1402
Fax: 559.651.0740

www.voltagemultipliers.com
www.highvoltagepowersupplies.com

Typical Single Multiplier Circuit



Typical Circuit Showing Two Multipliers in Series



Dimensions: In. (mm) • All temperatures are ambient unless otherwise noted. • Data subject to change without notice.



Voltage Multipliers Inc.

8711 W. Roosevelt Ave.
Visalia, CA 93291 USA

Tel: 559.651.1402
Fax: 559.651.0740

www.voltagemultipliers.com
www.highvoltagepowersupplies.com