

Gas Discharge Tube: G20D5F Series



2-Electrode $\Phi 20 \times T5.5\text{mm}$ Type

■ Features

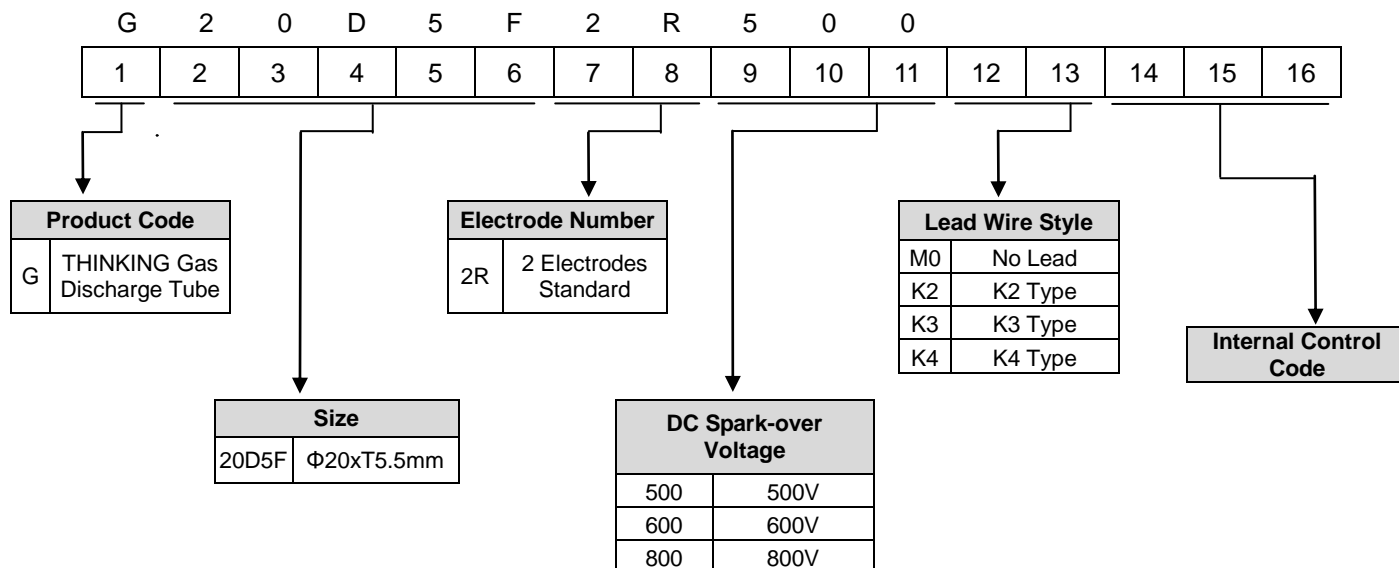
1. RoHS & HF compliant
2. Rugged ceramic-metal construction
3. DC spark-over voltage: 150~1000V
4. Follow current at 50/60Hz: 100A (For 500~1000V)
5. Max continuous operating voltage at 50/60Hz: 255V (For 500~1000V)
6. Agency recognition: UL
7. Operating temperature: $-40^{\circ}\text{C} \sim +105^{\circ}\text{C}$
Storage temperature: $-40^{\circ}\text{C} \sim +115^{\circ}\text{C}$



■ Recommended Applications

1. Power system
2. Industrial equipment
3. SPD module

■ Part Number Code



Gas Discharge Tube: G20D5F Series



2-Electrode $\Phi 20$ x T5.5mm Type

■ Characteristics

Part No.	DC Spark-over Voltage	Max. Impulse Breakdown Voltage		Max. Impulse Discharge Current (8/20 μ s)		Impulse Life (10/1000 μ s)	Normal Alternating Discharge Current	Front-of-wave sparkover voltage	Follow Current	Max Continuous Operating Voltage	Maximum Capacitance	Minimum Insulation Resistance	Safety Approvals
	100V/S	100V/ μ s	1KV/ μ s	1 time	10 times	300A	50Hz, 1Sec	1.2/50us 6KV	50/60Hz	50/60Hz	(1MHz)	(G Ω)	UL 1449
	(V)	(V)	(V)	(KA)		(times)	(A)	(V)	(A)	(V)	(pF)		
G20D5F2R150□□	150 \pm 20%	600	700	60	40	300	40	1100	/	/	5	1	√
G20D5F2R230□□	230 \pm 20%	600	700					1100	/	/			√
G20D5F2R300□□	300 \pm 20%	600	700					1100	/	/			√
G20D5F2R350□□	350 \pm 20%	700	800					1100	/	/			√
G20D5F2R400□□	400 \pm 20%	750	850					1200	/	/			√
G20D5F2R420□□	420 \pm 20%	750	850					1200	/	/			√
G20D5F2R470□□	470 \pm 20%	800	900					1200	/	/			√
G20D5F2R500□□	500 \pm 20%	900	1000					1300	100	255			√
G20D5F2R600□□	600 \pm 20%	900	1000					1300	100	255			√
G20D5F2R800□□	800 \pm 20%	1100	1200					1400	100	255			√
G20D5F2R10B□□	1000 \pm 20%	1300	1500					1500	100	255			√

Note 1: The □□ is style of lead wire.

Note 2: UL 1449 4th File No: E314979.

Note 3: Insulation resistance test conditions:

DC Spark-over Voltage	DC Measuring Voltage
150-400V	100V
420-1000V	250V

Gas Discharge Tube: G20D5F Series



2-Electrode $\Phi 20 \times T5.5\text{mm}$ Type

■ Dimension

(Unit: mm)

Figure 1

M0 : No Lead

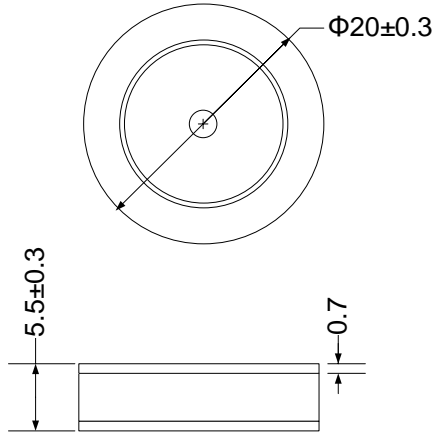


Figure 2

K2 : K2 Type

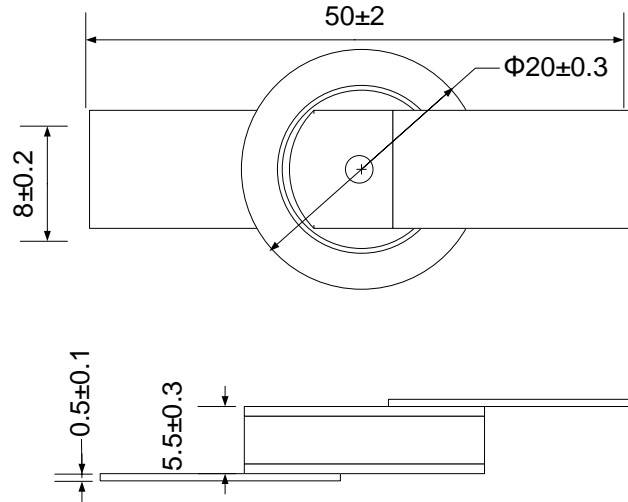


Figure 3

K3 : K3 Type

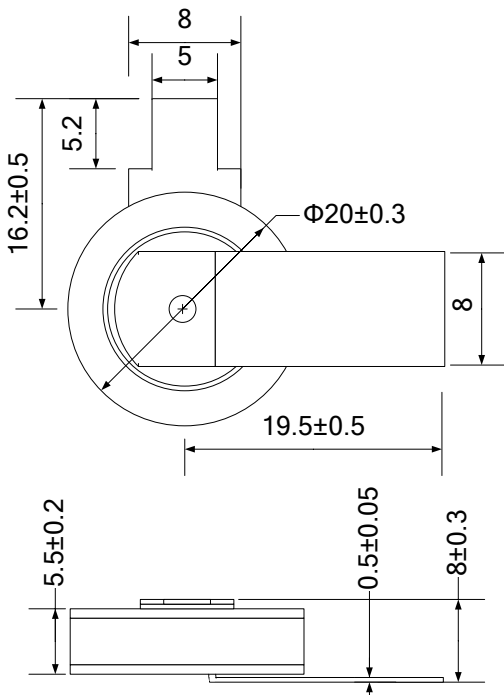
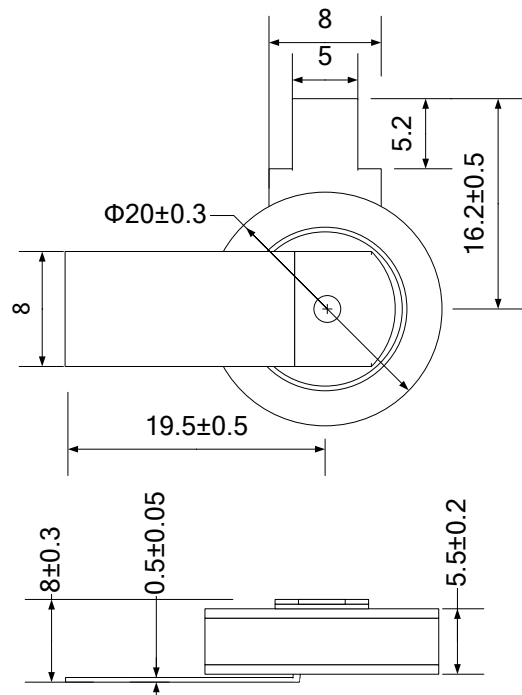


Figure 4

K4 : K4 Type

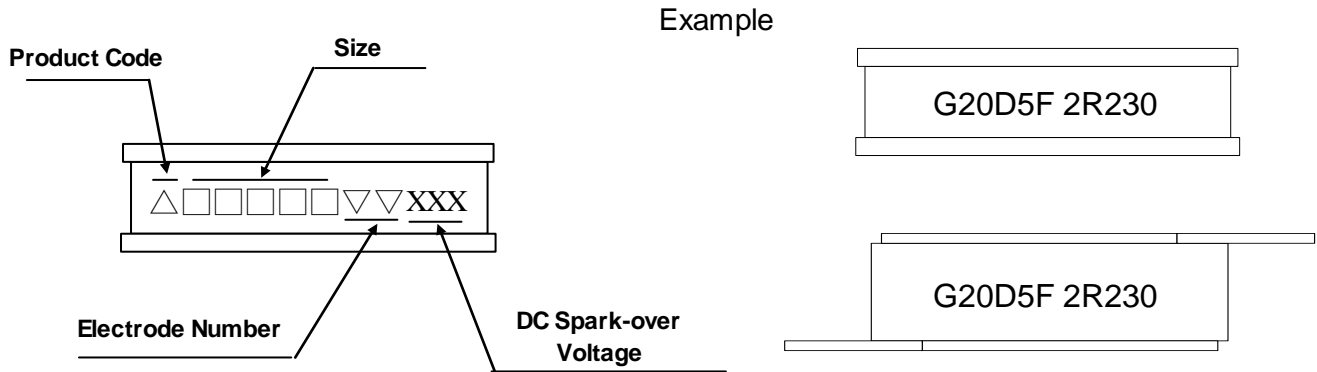


Gas Discharge Tube: G20D5F Series



2-Electrode $\Phi 20 \times T5.5\text{mm}$ Type

■ Marking



■ Packaging

- Bulk

■ Warehouse Storage Conditions of Products

- Storage Conditions:
 1. Storage Temperature: $-10^{\circ}\text{C} \sim +40^{\circ}\text{C}$
 2. Relative Humidity: $\leq 75\% \text{RH}$
 3. Keep away from corrosive atmosphere and sunlight.
- Period of Storage: 1 year