

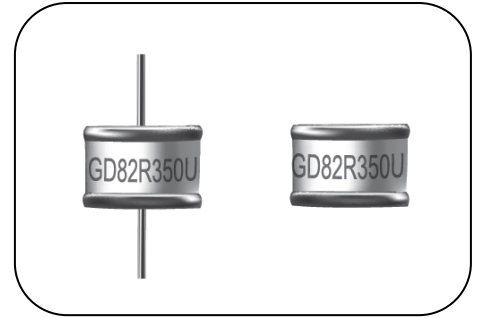
# Gas Discharge Tube: GD8-U Series



## 2-Electrode $\Phi 8.0$ x T6 mm High Surge Type

### ■ Features

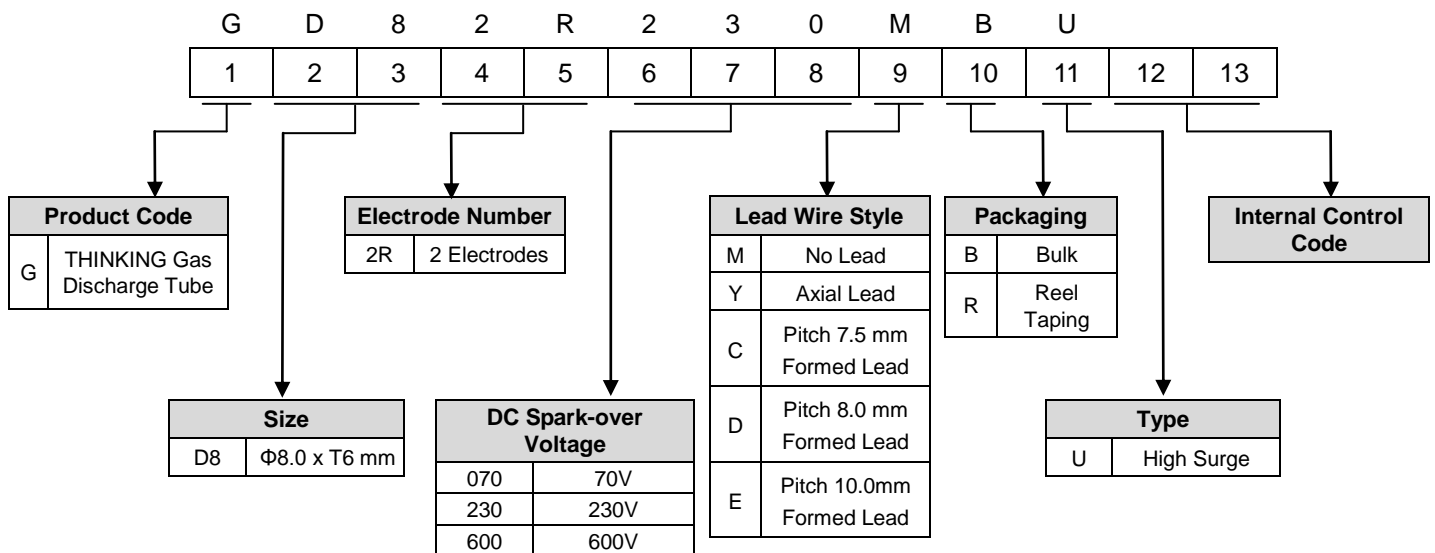
1. RoHS & HF compliant
2. Rugged ceramic-metal construction
3. Available with or without leads
4. DC spark-over voltage: 70V ~600V
5. Low capacitance
6. High transient current capability
7. Agency recognition: UL / cUL
8. Operating temperature:  $-40^{\circ}\text{C} \sim +105^{\circ}\text{C}$   
Storage temperature:  $-40^{\circ}\text{C} \sim +115^{\circ}\text{C}$



### ■ Recommended Applications

1. Cable modem
2. xDSL
3. Set-top box
4. TV sets
5. Power supply
6. Consumer electronics

### ■ Part Number Code



# Gas Discharge Tube: GD8-U Series



## 2-Electrode Φ8.0 x T6 mm High Surge Type

### ■ Characteristics

Part No.	DC Spark-over Voltage	Max. Impulse Breakdown Voltage		Max. Impulse Discharge Current (8/20μs)		Impulse Life (10/1000μs)	Normal Alternating Discharge Current	DC Holdover Voltage	Minimum Insulation Resistance	Maximum Capacitance (1MHz)	Safety Approvals			
	100V/S	100V/μs	1KV/μs	1 time	10 times	100A	50Hz, 1Sec	<150ms			(GΩ)	(pF)	UL 497B	UL 1449
	(V)	(V)	(V)	(KA)		(Times)	(A)	(V)					(GΩ)	(pF)
GD82R070□	70±20%	500	600	25	20	500	20	52	10	1.5	√			
GD82R075□	75±20%	500	600					52			√			
GD82R090□	90±20%	500	600					52			√			
GD82R120□	120±15%	500	700					52			√			
GD82R130□	130±15%	500	700					52			√			
GD82R145□	145±15%	500	700					52			√			
GD82R230□	230±15%	500	700					80			√			
GD82R250□	250±15%	500	700					135			√			
GD82R300□	300±15%	700	900					150			√			
GD82R350□	350±15%	700	900					150			√			
GD82R400□	400±15%	800	1000					150			√			
GD82R470□	470±15%	900	1100					150			√			
GD82R600□	600±15%	1100	1300					150			√	√		

Note1: The first □ is style of lead wire, and the second □ is packaging.

Note2: H = High Surge Series

Note3: UL 497B File No. E245070

Note 4: Insulation resistance test conditions:

DC Spark-over Voltage	DC Measuring Voltage
70-150V	50V
151-400V	100V
401-600V	250V

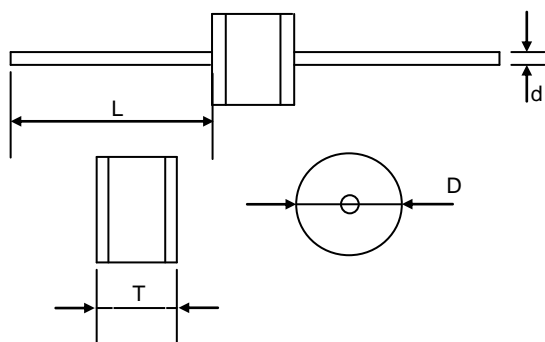
# Gas Discharge Tube: GD8-U Series



## 2-Electrode $\Phi 8.0$ x T6 mm High Surge Type

### Dimension

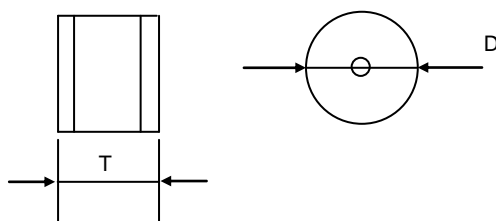
□ = Y (Axial Lead Type)



(Unit: mm)

Item	Dimensions	
	Spec.	Tolerance
D	8.0	+0.3/-0.5
T	6.0	+0.3/-0.5
L	20	Min.
d	1.0	$\pm 0.05$

□ = M (No Lead Type)

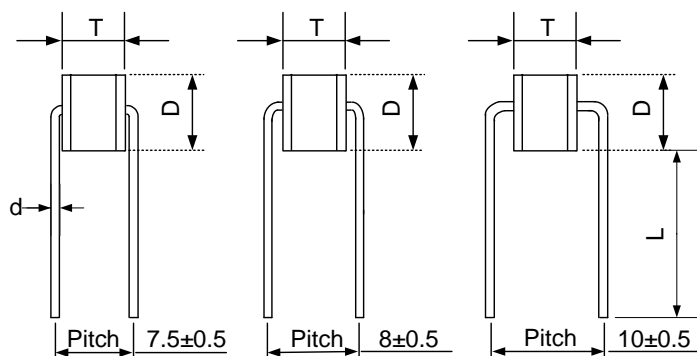


(Unit: mm)

Item	Dimensions	
	Spec.	Tolerance
D	8.0	+0.3/-0.5
T	6.0	+0.3/-0.5

□ = C, D, or E (Formed Lead)

(Unit: mm)



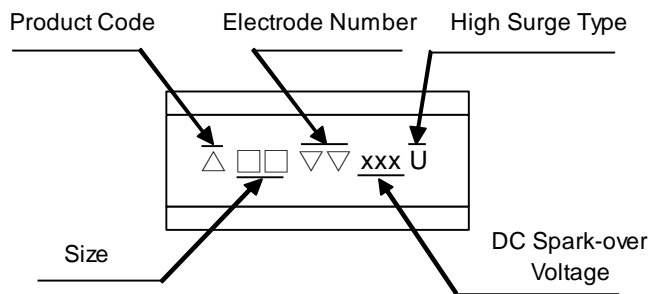
Item	Dimensions	
	Spec.	Tolerance
D	8.0	+0.3/-0.5
T	6.0	+0.3/-0.5
d	1.0	$\pm 0.05$
L	15.0	Min.
P	7.5	$\pm 0.5$
	8	$\pm 0.5$
	10	$\pm 0.5$

# Gas Discharge Tube: GD8-U Series

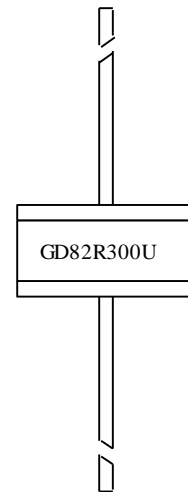
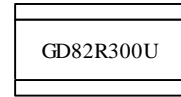
## 2-Electrode $\Phi 8.0$ x T6 mm High Surge Type



### ■ Marking



Example



### ■ Packaging

#### ● Bulk

- ◆ For No Lead (M Type) and Axial Lead (Y Type):

**Quantity: 100pcs per PVC Box, 500pcs per Inner Box**

**Quantity (MPQ): 500pcs**

- ◆ For Formed Lead (C, D, or E Type) :

**Quantity: 100pcs per PVC Box, 500pcs per Inner Box**

**Quantity (MPQ): 500pcs**

# Gas Discharge Tube: GD8-U Series



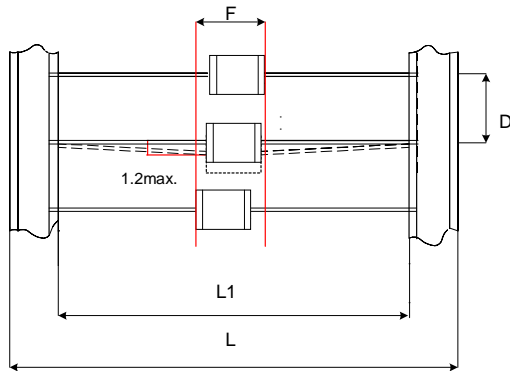
## 2-Electrode $\Phi 8.0$ x T6 mm High Surge Type

### ● Taping

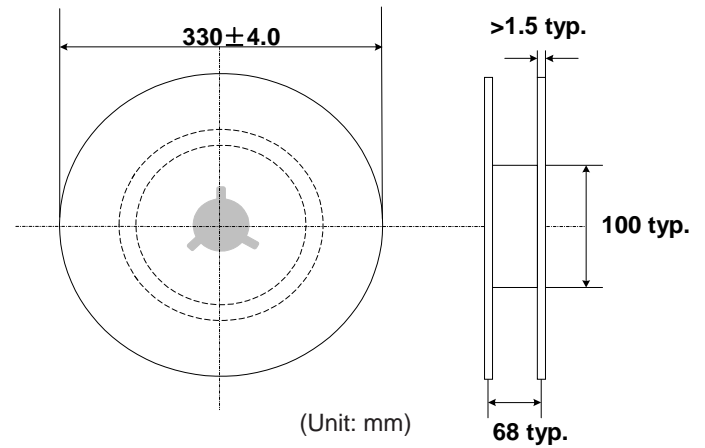
For 2-electrode Axial Lead GDT: 500 PCS/Reel

Quantity (MPQ): 500pcs

(Unit: mm)



Item	Dimensions	
	Spec.	Tolerance
L1	52	$\pm 2$
L	64	$\pm 3$
D	10	$\pm 0.5$
F	T + 1.4	Max.



### ■ Warehouse Storage Conditions of Products

- Storage Conditions:
  1. Storage Temperature:  $-10^{\circ}\text{C} \sim +40^{\circ}\text{C}$
  2. Relative Humidity:  $\leq 75\% \text{RH}$
  3. Keep away from corrosive atmosphere and sunlight.
- Period of Storage: 1 year