



INSTALLATION MANUAL
Ultra Galactica

AVE-WPST-54G-IM

TABLE OF CONTENTS

PART 0 DOCUMENT ADMINISTRATION..... 3

0.1 DOCUMENT APPROVAL..... 3

0.2 AMENDMENT RECORD PROCEDURE 4

0.3 AFFECTED PAGES PROCEDURE 4

PART 1 INSTALLATION DATA..... 5

1.1 ULTRA GALACTICA™ 5

1.2 OPERATING INSTRUCTIONS..... 6

1.3 INSTALLATION SCHEMATIC / WIRING DIAGRAM 6

1.4 CONTROL & POWER INPUTS 6

1.5 TECHNICAL SPECIFICATION..... 7

1.6 TECHNICAL DRAWING 8

1.7 WIRING CHART..... 9

1.8 EQUIPMENT LIMITATION 9

1.9 TESTING THE LIGHTS BEFORE INSTALLATION 10

1.10 NOTES ON INSTALLATION..... 11

1.11 CARE AND CLEANING OF LIGHTS..... 11

1.12 CONTINUED AIRWORTHINESS INFORMATION 11

1.13 ROHS COMPLIANCE STATEMENT..... 13


Part 0 Document Administration


0.1 Document Approval

This document has been established in accordance with an alternative procedure to DOA approved under EASA AP429.

This installation manual is applicable for following part numbers (Modification status Mod(4) or higher):

- Ultra Galactica (Red) **AVE-WPSTR-54G**
- Ultra Galactica (Green) **AVE-WPSTG-54G**

Compiled by:  _____ 5. January 2021
Petr Jaroš
Engineer, Aveo Engineering Group, s.r.o.

Approved by:  _____ 5. January 2021
Georg Hartl
Head of DO, Aveo Engineering Group, s.r.o.

0.2 Amendment Record Procedure

The master copy of this document shall be kept electronically as a read only document under the control of Aveo Engineering Group, s.r.o. as Master Copy.

ALL amendments to this manual will initiate a raise of issue.

The original issue will be identified by "**01**", and subsequent issues will be numbered sequentially from 02 to 99 in Table 01 - **Issue No.** column.

ALL issues of this document will be approved by Head of DO.

Issue No.	Details	Date of issue	Effected Pages
01	Initial Issue	15 Jun. 2015	ALL
02	Addition of FAA required statements	10 Nov. 2015	7, 9
03	Change in category of section 4	14 Feb. 2017	7
04	Editorial corrections as marked Summary of environmental tests removed (not marked) Technical specification and dimensional definition adopted LED schematics adjusted	28 Apr. 2017	6-15 7 9-10 15
05	Weight update Electronics data update Drawing update (not marked) ROHS addition	05 Jan. 2021	5, 7 7 8 13
Table 01: Record of Document Amendments			

0.3 Affected Pages Procedure

ALL pages affected by ANY raise of issue of this document will be listed in Table 01 - **Affected Pages** Column.

The reason(s) for **EACH** raise of issue and the description of respective change will be provided in Table 01 - **Details** Column.

Changes from the previous issue are shown as follows:

- a) new text is highlighted with yellow shading: **new**
- b) deleted text is shown with yellow shading and a strike through: ~~**deleted**~~

Part 1 Installation data

1.1 *Ultra Galactica*™

The **Ultra** series lights are a very popular choice for certified and general aviation aircraft of any size, due to their compact design and easy installation. With full optical testing for brightness and chromaticity, the Ultra also underwent the rigorous DO-160 testing regime and was recognized as exceeding all requirements. The Ultra has also become the leading wing light solution for numerous military and law enforcement/surveillance UAVs around the world and is very popular with aircraft manufacturers.

Packed with 28 ultra-high brightness LEDs that are the industry state-of-the-art in performance and output lumens, the **Ultras** still feature the same tiny footprint the popular Aveo e-series wing lights have become so well-known for in the aviation world.

Main features:

- 3-in-1 Nav/Position/Strobe
- Extremely lightweight at 96 grams
- 9-36 V DC input range
- No external power supply or strobe unit
- Light synchronization feature
- Unmatched circuit technology
- Advanced computer and goniophotometer engineered optics

Part numbers of major components that make up the equipment complying with the standards specified in ETSO are as follows:

- Ultra Galactica (RED) PN: AVE-WPSTR-54G Mod(4)
- Ultra Galactica (GREEN) PN: AVE-WPSTG-54G Mod(4)

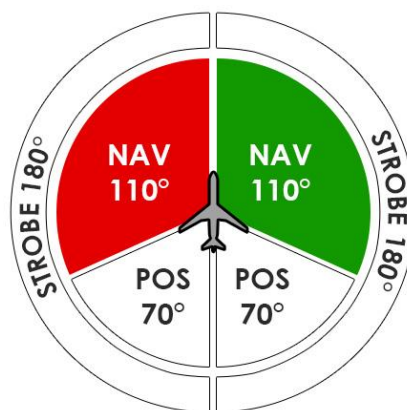


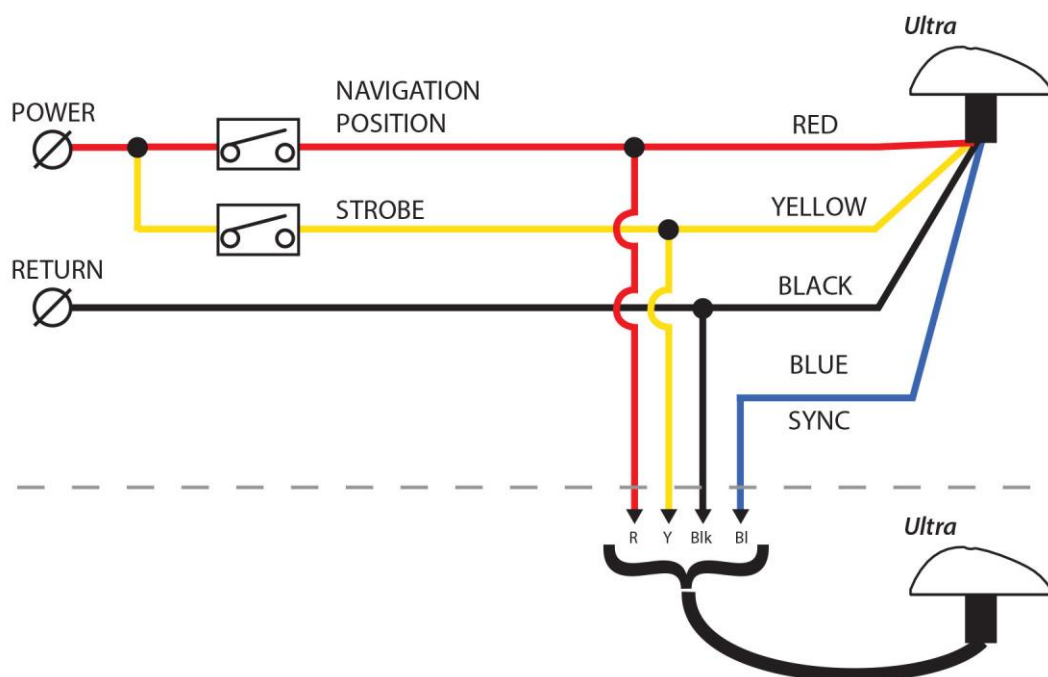
Figure 01: Features of Ultra Galactica

1.2 Operating Instructions

When installed on the aircraft, using the aircraft's power (14 or 28 volts), the **Ultra Galactica** light will be at its maximum intensity.

It meets the requirements of **ETSO-C30c** (Aircraft Position Light, **SAE A S S017 rev. B, SAE A S 8037 rev. A**) and **ETSO-C96a** (Anticollision Light System). The light operates within the range of voltage from 9 V to 36 V DC.

1.3 Installation Schematic / Wiring Diagram



WIRES:

Teflon insulation, 500V, AWG 20, 22

Wire length from base of unit 254mm [10.00 inch] min.

1.4 Control & Power Inputs

- VCCP** - AWG 20, Positive power supply line for position (RED)
- VCCS** - AWG 20, Positive power supply line for strobe (YELLOW)
- GND** - AWG 20, Common negative power supply line (BLACK)
- SYNC** - AWG 22, Synchronization line (BLUE)

1.5 Technical Specification

Dimensions: 100 mm x 46.2 mm x 34.1 mm
3.94" x 1.819" x 1.34"

Weight: 96 g / 3.386 oz

Operating voltage range: 9 to 36 V DC

Operating temperature: -55 °C ~ + 85 °C
-67 °F ~ +185 °F

Power:

- Position branch (red), input power:

9 V / 0.55 A:	4.9 W
14 V / 0.36 A:	5.0 W
28 V / 0.19 A:	5.3 W
36 V / 0.16 A:	5.6 W

- Strobe branch (left), input power:

9 V / 6.49 A:	58.4 W
14 V / 2.97 A:	41.6 W
28 V / 1.38 A:	38.5 W
36 V / 1.07 A:	38.5 W

- Position branch (green), input power:

9 V / 0.56 A:	5.0 W
14 V / 0.36 A:	5.1 W
28 V / 0.19 A:	5.4 W
36 V / 0.15 A:	5.5 W

- Strobe branch (right), input power:

9 V / 6.33 A:	57.0 W
14 V / 2.92 A:	40.9 W
28 V / 1.36 A:	38.1 W
36 V / 1.06 A:	38.2 W

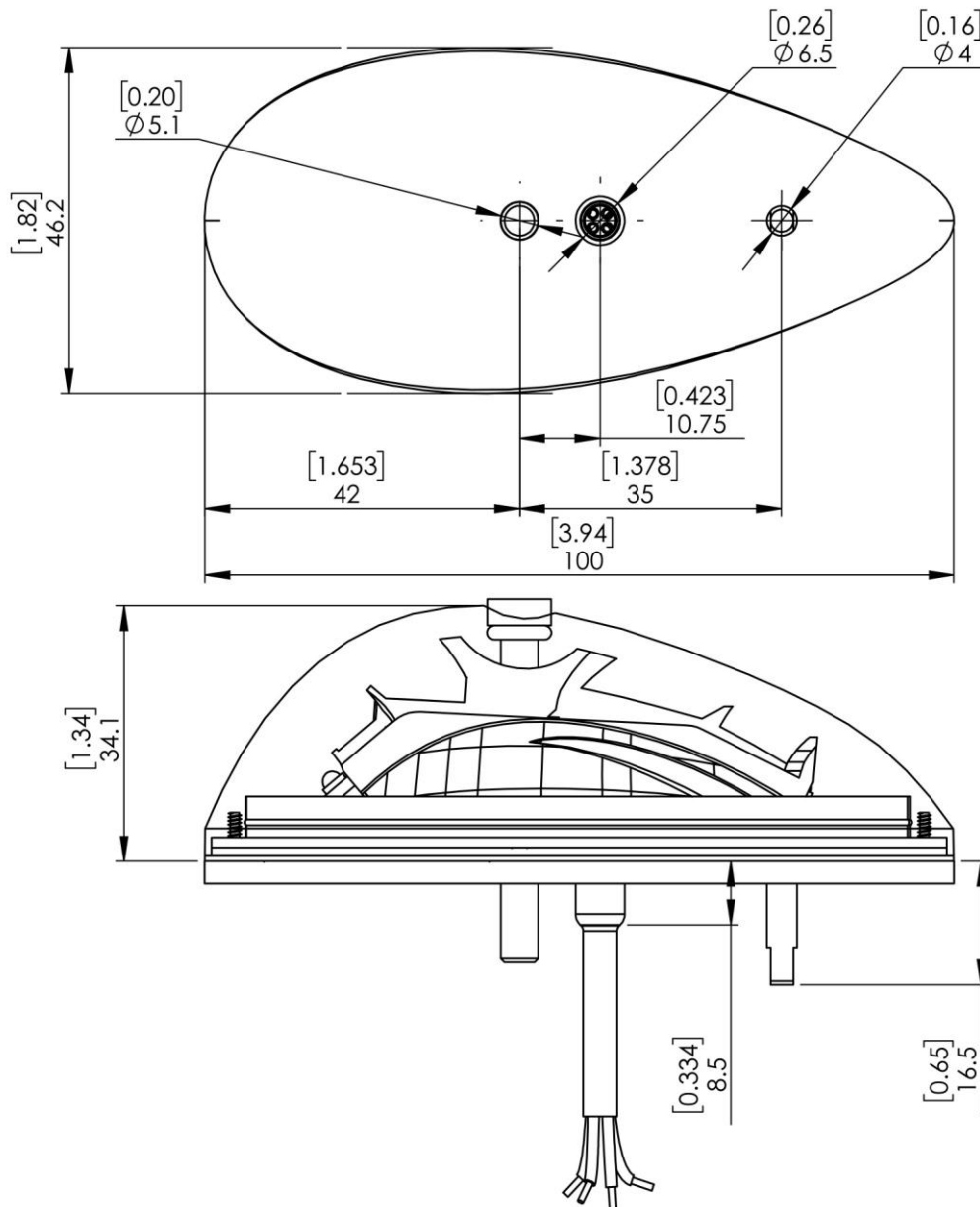
Repetition Flash Rate of Strobe: 50 cycles per minute

Recommended size of mounting screws: M5 x 40 mm (DIN7984) or equivalent

Meets and exceeds requirements of:

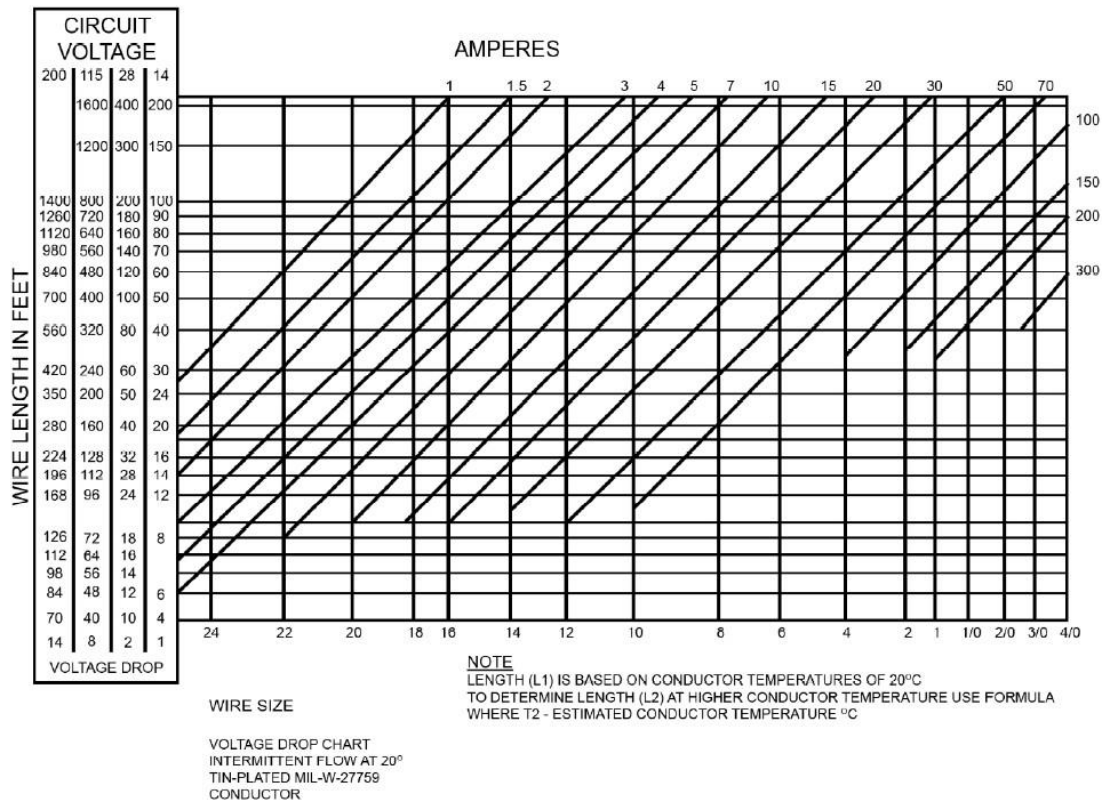
- ETSO C30c, ETSO C96a
- SAE AS8017 rev. B and SAE AS8037 rev. A
- DO-160F (G)

1.6 Technical Drawing



*dimensions in mm / [inches]

1.7 Wiring Chart



1.8 Equipment Limitation

Ultra Galactica™ should only be powered by 9-36 V DC, typically a 12V or 24V aircraft battery.

This article meets the minimum performance and quality control standards required by the technical standard orders ETSO C30c and ETSO C96a. Installation of this article requires separate approval.

Deviations

This article deviates from ETSO C30c and ETSO C96a by the usage of newer revisions of the following standards:

- SAE AS 8017 rev. B used instead of SAE AS 8017 rev. A,
- SAE AS 8037 rev. A used instead of SAE AS 8037 initial release.

1.9 Testing the Lights before Installation

All Aveo Aviation lights undergo rigorous testing prior to being released from our engineering manufacturing department. This testing involves a burn-in time as well as other function testing. No light is released for sale without undergoing this extensive operational testing.

When you receive the **Ultra Galactica** light, and wish to test the function of the light prior to installation on your aircraft, please observe the following procedure:

1. Review the written information that is enclosed in the packaging. Warranty information as well as a cautionary note about power supply removal is enclosed in each package.
2. Remove the light from the package. Note that there are four (4) wires coming from each light. The wires are as follows:

Black	ground (negative lead)
Red	position/navigation light function (positive lead)
Yellow	strobe light function (positive lead)
Blue	synchro

3. Testing the function of the light can be accomplished using a regular 12V/5A DC power supply (not a battery charger).

Connect the black wire to the ground (negative) leads of a power supply, then connect the yellow or red wire to the positive (+) leads on the power supply. The light should start flashing (yellow wire = strobe light) or lighting (red wire = green/red and white light). Connecting the blue wires from each **Ultra Galactica** light together (and not to the ground or positive terminals on the battery) should result in flashing all lights at once. It indicates that the synchronization feature is working properly.

When installed on the aircraft and using the aircraft's power (14 or 28 volts), the light will be at its maximum intensity.

If the tests are successfully completed, the lights can be installed on the aircraft.

IMPORTANT NOTES:

1. Under no circumstances should any power supply other than a 9-36V DC, or a 12/24V battery be used to test the light. Do not use: Battery chargers, battery back-up power devices or other bench avionics testing methods to test the aviation light. The light is functional between 9 and 36 V. Use of a battery charger or other power unit to test the light will void the warranty and may damage the light.
2. All power supplies for existing strobe lights, flasher beacons, etc. are required to be removed from the aircraft prior to the installation of the Aveo light.

If you have any questions regarding the installation of the lights, please refer to our web site: www.aveoengineering.com and check FAQ and other links on our aviation lights web page.

1.10 Notes on Installation

Stainless steel M5 x 40 mm (DIN7984) or equivalent screws are recommended to be used for installation. Screw length depends on placement of screws on wingtips.

1.11 Care and Cleaning of Lights

Aveo Engineering Aviation Lights are factory polished and delivered as ready to install on the aircraft.

Upon installation, apply one or two coats of quality automotive polish. This should protect the lights from dirt and other environmental factors. Once or twice a month, just refresh the polish and buff the lights by hand.

1.12 Continued Airworthiness Information

From the webpage <http://www.aveoengineering.com/> the customer can download the form F-AVE-001A which shall be used by operator for reporting any occurrences to the Aveo Engineering as the ETSO holder. The form contains the Aveo Engineering telephone number and the occurrence e-mail address (occurrence@aveoengineering.com).

The operator shall report immediately as the ETSO holder is obliged to report occurrences having potential to lead to an unsafe condition within 72 hours.

a. Circuit/Wiring Protection

Each **Galactica** series light features a **Negative Temperature Coefficient** (NTC) circuit that limits internal temperatures by attenuating operating current (with corresponding reduction of brightness) when internal temperatures reach a certain threshold. This proprietary circuitry is intended for protecting the light itself, and associated aircraft wiring, from a thermal runaway condition. The operation of strobes without airflow is recommended to be limited in order to avoid heat buildup. This NTC circuitry feature enables the life of LEDs and electronic components to be tripled and thereby provide an even great margin of safety for continued airworthiness due to the dramatic enhancement of electronics reliability.

b. Periodic Inspection Procedure

The **Galactica** lights should always be checked for proper operation during preflight. This procedural information is already provided in all general aviation aircraft flight manuals.

The lights should be visually examined for general condition, proper operation, and correct installation at each inspection to be carried out annually and/or after 100 hours of operation. Any debris or atmospheric deposits accumulated on the surface of the lights should be removed using a UV Wax such as Farecia Profile UV Wax to ensure ongoing optical clarity. In addition, refer to section 1.11 of installation manual for detailed cleaning instructions.

The following procedure shall be performed, firstly, in the steady mode and secondly, in the strobe mode:

1. Put on polarized sunglasses or welder goggles to prevent eye damage when looking into the lights.
2. Turn the lights on.
3. Examine the individual LEDs in accordance with the figures 2-4 below. *If any of the LEDs fail, the light shall be removed and sent to Aveo Engineering for replacement under the Warranty Program.*

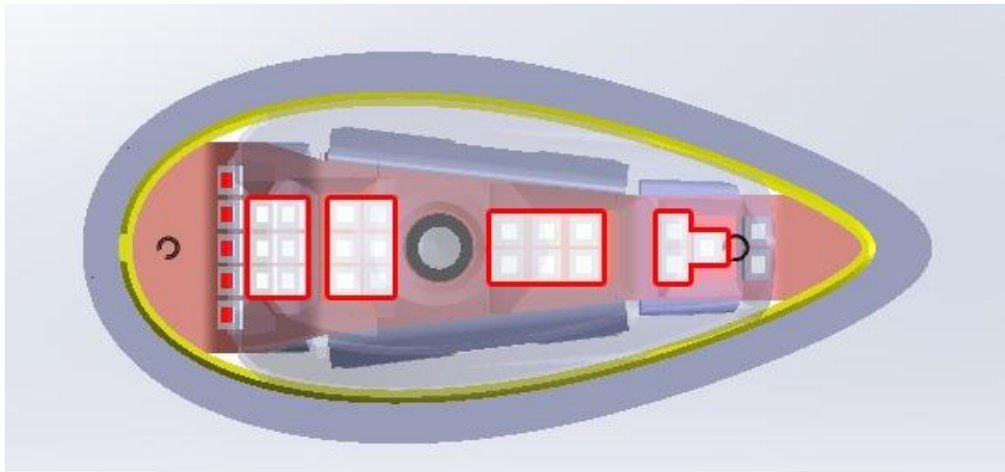


Figure 2: Strobe LEDs

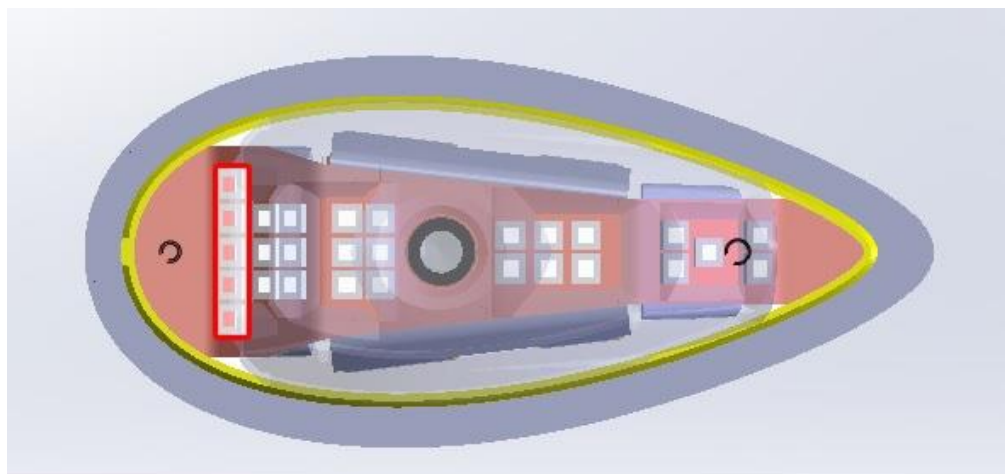


Figure 3: Position LEDs (coloured)

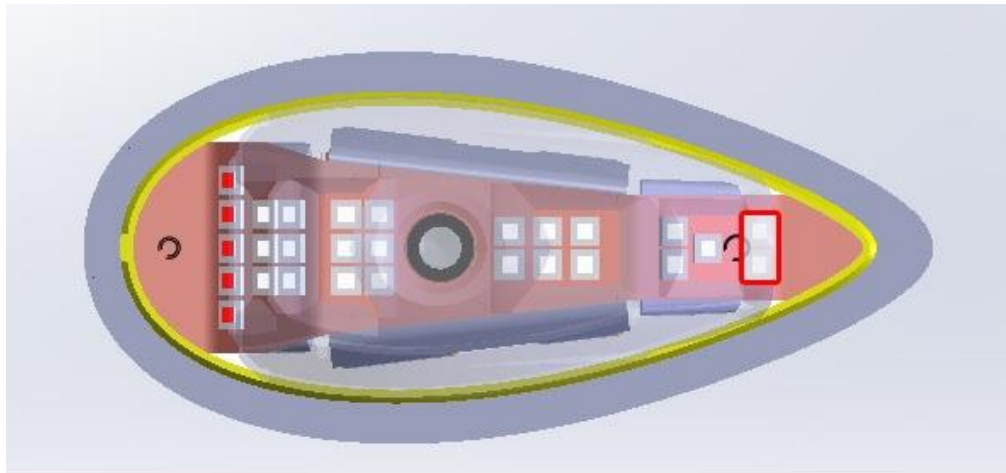


Figure 4: Position LEDs (white)

1.13 RoHS Compliance Statement

Scope

This statement clarifies Aveo Engineering's compliance with European Union Directive 2015/863/EU on the restriction of the use of certain hazardous substances in electrical and electronic equipment ("RoHS") that took effect on June 4, 2015. The RoHS Directive restricts the sale of electronic equipment containing certain hazardous substances in the European Union including:

Cadmium(Cd): 0.01%
 Mercury: 0.1%
 Lead(Pb): 0.1%
 Hexavalent chromium (Cr6+): 0.1%
 Polybrominated biphenyls (PBB): 0.1 %;
 Polybrominated diphenyl ethers (PBDE): 0.1 %
 Bis(2-Ethylhexyl) phthalate (DEHP): 0.1% (added in 2015);
 Benzyl butyl phthalate (BBP): 0.1% (added in 2015);
 Dibutyl phthalate (DBP): 0.1% (added in 2015);
 Diisobutyl phthalate (DIBP): 0.1% (added in 2015)

Compliance

Aveo Engineering certifies that all products sourced from manufacturing facilities comply with the environmental standards set forth by the Directive 2015/863/EU, recast amendment of RoHS Directive 2011/65/EU Article (4), and do not contain any of the above-mentioned, 10 hazardous substances above the specified limits. All products manufactured by Aveo Engineering are RoHS-compliant. With regards to RoHS-2 CE marking, product packaging is labeled attesting conformity if required.

References

Directive 2015/863/EU of the European Parliament and of the Council on the restriction of the use of certain hazardous substances in electrical and electronic equipment.