

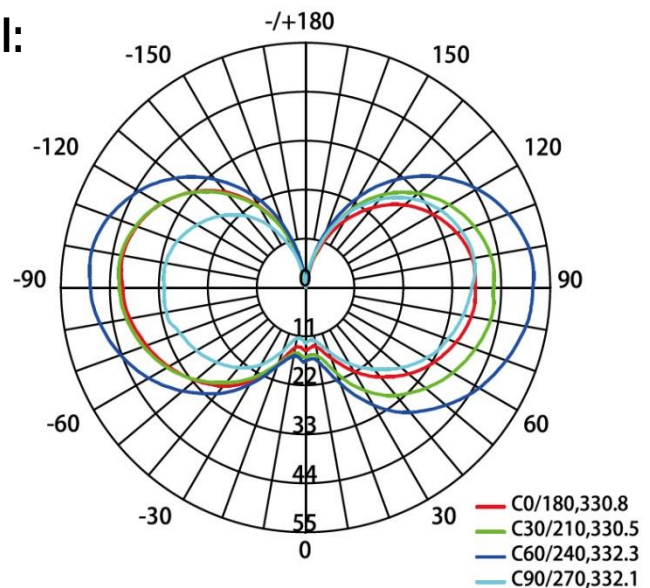
V-Sabre™

UVC Ultraviolet Sterilization and Purification Lamp



Product Features and Specification model:

The UVC V-Sabre lamp is a new generation of UVC products, which can be directly connected to the main power supply. The lamp base is compatible with E26 / E27 / E39 / EX39 / E40, and can be installed according to various styles of application. This is 254nm high-efficiency UVC lamp with 360°ring-shaped illumination. This lamp is effective to ensure the sterilization. The direct irradiation part of the UV lamp tube is made of aluminum alloy material, which avoids the problems of anti-aging and yellowing of the material. Microwave + PIR sensors make double insurance to deduction of any moment. It can be set 30min / 60min / 90min / 120min timing wireless remote control. There is buzzer reminder function while efficiently sterilizing and effectively avoid the damage of human from UV.

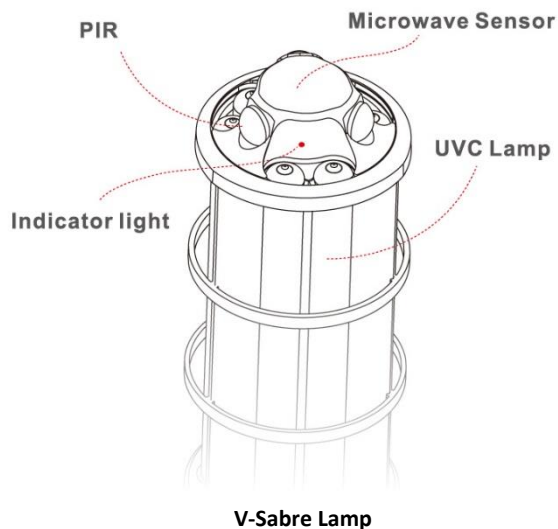


AVERAGE BEAM ANGLE(50%):331.4 DEG

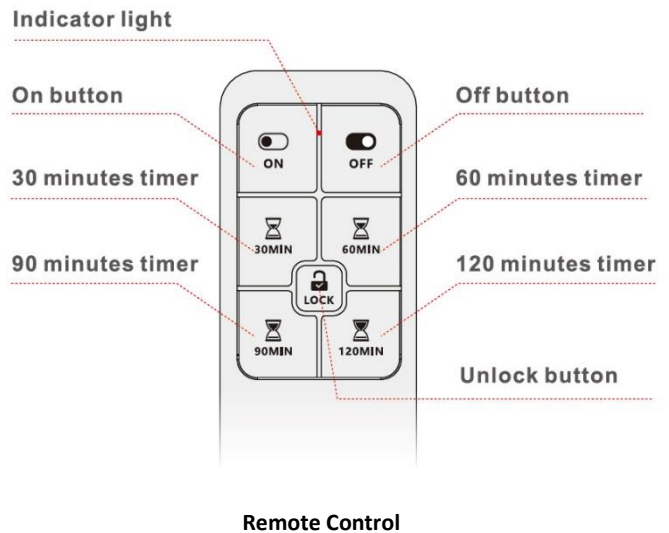
V-SABRE LAMP SUGGESTED AREA AND TIME

MODEL	Influenza Virus (μW.S/cm ²)	Disinfection time for 2.87 m ² / 30.9 ft ² (1 m / 3.28 ft to lamp)	Disinfection time for 6.22 m ² / 66.9 ft ² (1.5 m / 4.92 ft to lamp)	Disinfection time for 10.85 m ² / 116.8 ft ² (2 m / 6.56 ft to lamp)	Disinfection time for 16.76 m ² / 180.4 ft ² (2.5 m / 8.2 ft to lamp)	Disinfection time for 23.95 m ² / 257.8 ft ² (3 m / 9.84 ft to lamp)	Disinfection time for 42.17 m ² / 453.9 ft ² (4 m / 13.12 ft to lamp)
V-Sabre 60W	6600	2 min	4 min	8 min	14 min	28 min	106 min
V-Sabre 80W		1 min	2 min	4 min	8 min	15 min	34 min

Instructions



V-Sabre Lamp

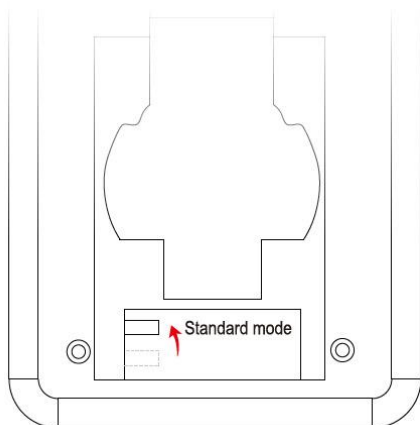


Remote Control

Manual of remote controller:

Manual of remote controller (choose the model before using)

Two models: standard model and automatic model, switch button under back battery.



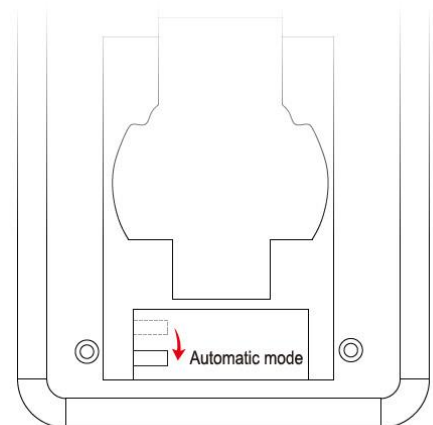
Standard mode:

When the module is triggered to turn off the light, it will not start automatically after detecting no one there. If you need to turn on the light, you need to press the ON button.



Automatic mode:

When the movement detected, lamp turn off; then lamp will turn on in 2 minutes when no movement detected; and it will go for repeated process like this if any movements detected.



Manual of remote controller (please select model before using)

1. Two models: standard mode and automatic mode, swift button under back battery.
2. Standard mode: the lamp not automatic on after 2 minutes without detection.
3. Automatic mode: the lamp automatic on after 2 minutes without detection.
4. Power the lamp with voltage within the range on lamp, otherwise the lamp will be broken.
5. Press the "lock" button to start. choose any button, it will take around 18 seconds to turn on after the sounds stop.
6. The continuous sounds to warn people out of the disinfection area asap.
7. Five different disinfection time setting (ON/30MIN/60MIN/90MIN/120MIN); "ON" means no time limited.
8. If you want to cancel the time setting, press OFF. Each time the lamp sounds around 18 seconds then on without detection.
9. Our remote controller is well paired with lamp one on one, considering about too sensitive signal.
10. You need press "120MIN" button within 5 seconds when the lamp on to match another lamp and then control.

Note: Other buttons are out of function, If the "lock button" not pressed

Prompt tone description:

The lamp prompts intermittent or continuous sound, and the indicator light flashes to indicate that the UVC lamp is about to turn on. Warn people or animals to leave the illuminated area as soon as possible to prevent injury from UVC exposure.

Sensor description:

3D sensor detection: 1 Microwave + 3 PIR sensors, automatically turn on once the light switch on. The light will be turn off automatically when unintended entry detected.

Battery manual Instruction:

Take off the tape on battery (model: CR2032 3V) for first time use, press any key, there is light, means OK for the remote controller.

CAUTION

1. Press the "LOCK" button before operating other function buttons.
2. After the UVC lamp is working normally, the lamp is turned off by the artificial trigger sensor module. If there is no abnormal detection within 2 minutes, the lamp will automatically turn on and work normally. The suspended time will not count in the timer.
3. The signal of the remote control is a non-linear wave signal, and might be work through a wall.

Technical Specifications

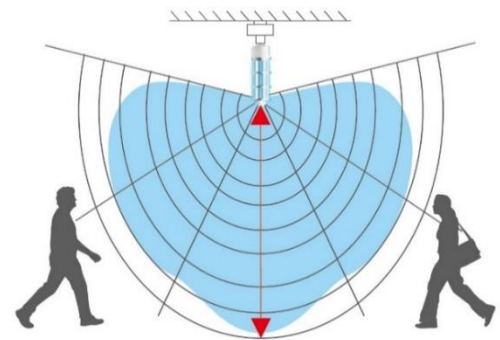
Operating temperature:	-10°C ~ +35°C (+14°F ~ +95°F)
Operating environment humidity:	< 80%
Storage temperature:	-20° ~ +60°C (-4°F ~ +140°F)
Sensor detection range:	360 degrees
Sensor detection distance:	0-5 meters
Sensor type:	1 Microwave + 3 PIR sensors
Remote control distance:	10 meters

Principles and Sterilization factors

The V-Sabre uses the UltraViolet C wavelength band that has been used for more than 70 years to disinfect and actively kill viruses, bacteria, molds and spores more effectively than any other technology in the world, and without any chemicals.

Applications

The product is suitable for disinfection of indoor places such as medical institutions, schools, offices, commercial places, product industry, pharmaceutical industry and household use.



Sensor detection distance:
5 meters (16,4ft)

Precautions for use

1. Only professional maintenance is allowed, so as not to damage the precision electronic components.
2. If the ambient temperature is too high (above 35°C), the PIR sensing distance will be shortened (it is normal). At the same time, there is a possibility that the lamp is turned off by mistake, do avoid installing the lamp in direct air flow location (such as: cold/ hot water outlet, exhaust fan, near the electric furnace, etc.). The sensor head cannot be blocked or covered otherwise there will be a risk of PIR sensor failure.

3. The microwave sensor may turn off the light by mistakes in heavy rain. The lights will be turned off by mistakes when there is a sewer pipe flowing around. Poor sensing of objects moving at a uniform speed. There should be no metal shielding in front of the microwave sensor. There must be no vibration at the installation location, which will turn off the lights by mistakes.
4. When the lamp base is installed upward, the lamp might be turned off by mistakes.
5. Multiple lights need to be separated by more than 1 meter installation distance, otherwise the microwave sensor might fail to detect.
6. The wireless remote control may be controlled through the wall and multiple lights be controlled by one remote at the same time, which is normal.

WARNING

1. UVC is harmful to human body or animals, please do not expose directly to the skin and eyes, please leave immediately once the lighting buzzing.
2. If the body is slightly uncomfortable, please leave the UVC light source immediately.
3. In severe cases, headache, dizziness, increased body temperature, eye irritation, or decreased vision, Skin irritation, itching, swelling, etc. please consult your doctor immediately.



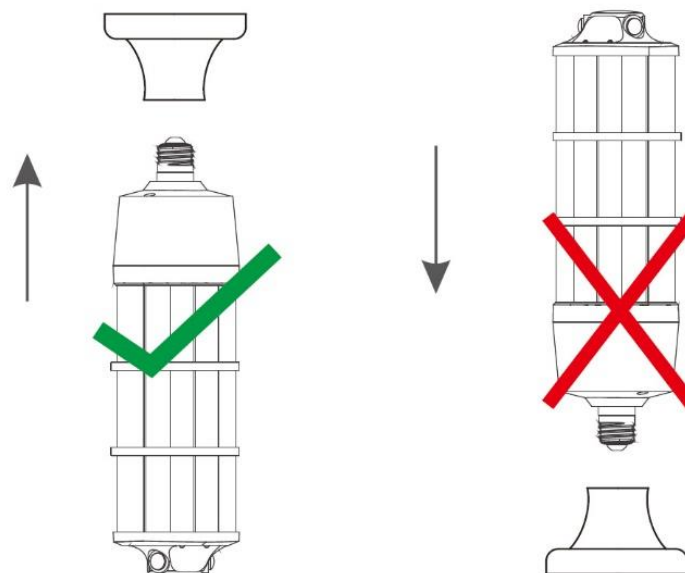
Troubleshooting

No.	Failure analysis	Solution
1	No beep (the indicator light is off)	<ol style="list-style-type: none"> 1. Confirm whether it connect to the main power; 2. Confirm whether the remote control has a battery and whether the positive and negative batteries are installed correctly;
2	No beep (the indicator light will be turn on)	Please send it back for repair;
3	Prompt beep (indicator light not turn on)	Please send it back for repair;
4	Remote does not work	Confirm whether the lamp is powered on. If the lamp is powered on, press the remote control "LOCK" first, and then press other function buttons; Whether the voltage of the remote control battery is too low, the battery needs to be replaced;
5	"UVC lamp" can not turn on	Confirm whether the lamp is powered on. If the lamp is powered on, confirm the remote control is operating correctly. If there is still no bright light then return to repair.
6	The light appears to trigger the light off	Check whether the "Precautions " in this manual. If you have avoided the high-level issues and still have no improvement, please return to repair; Confirm whether the ambient temperature exceeds the operating temperature of the whole lamp.

Additional Note

1. The product cannot be used for lighting purposes.
2. The product can only be used for the sterilization of the object surface and air, can not be used for the sterilization of the surface of the human body. During the use of the product, the surface of UV sterilization lamp should be kept clean. If there is dust or oil on the lamp surface, please wipe it in time. It is recommended to wipe it with a damp cloth and then dry it. Never rinse it with water.
3. When you use the product for indoor air sterilization, please close the doors and windows to keep the room clean and dry, and reduce dust and moisture. If the room temperature is lower than -10 degrees or higher than 35 degrees, it is not recommended for use. Please open the doors and windows for 10 minutes after sterilization.
4. When using this product to sterilize the surface of objects, keep a distance of not more than 1.2 meters from the irradiation surface. The closer to the lamp, the better the sterilization effect. The best sterilization location is near the lamp tube. If there are paintings, plants, utensils, and other ultraviolet sensitive items in the room, they should be covered.
5. Long time to irradiate UVC to the object, irreversible damage will occur to the object that is not resistant to ultraviolet rays, and the object will become chemical phenomenon, If the surface of the white object is exposed, the illumination will change the objects color that will appear in pale. Plastic items that are not UV resistant will become brittle.
6. After sterilization, please put away the product and the remote control to avoid accidental light on and accidental injury.
7. If the UV sterilization lamp is accidentally broken, it should be ventilated in time and wear gloves or clean up with a mercury vacuum cleaner or with other suitable means that avoids generating dust and mercury vapor. Do not use a standard vacuum cleaner.
8. After handling broken the lamps, please remove protective clothing and thoroughly wash hands before eating, smoking, or using toilet facilities.

Installation Diagram



Note 1: Please remove the original lamp ballast before the installation.

Note 2: It is forbidden to use the lamp upward side. It should be downward.

Note 3: Please make sure the input voltage within the range on the lamp.

Safety Precautions:

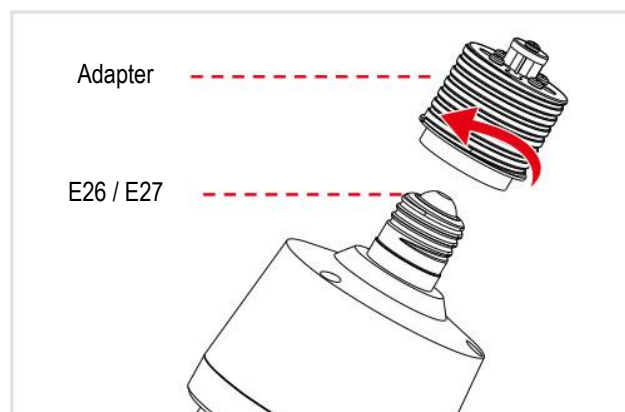
The following basic safety measures must be observed at all stages of operation, maintenance and repair of this equipment. Failure to observe these measures may affect the basic protection provided by the equipment.

1. Please use under the working conditions and environment required by this manual.
2. Unauthorized use of this product is strictly prohibited
3. Non-professionals are not allowed to open and repair by themselves, so as not to damage precision electronic components
4. Do not connect multiple electrical equipment with a total power exceeding its rated wattage on one socket board, because overload will cause insufficient power or click, fire accident.
5. This product is not waterproof, please do not use this product in rain or water vapor, otherwise it is easy to damage the device or get injured.
6. Do not use this product near fire, and do not hit or shake this product.
7. Strong ultraviolet rays are harmful to the human body, please pay attention to ultraviolet radiation. When using, it is strictly prohibited to directly irradiate the human body with ultraviolet rays.
8. The sterilizer is maintained by professionals. Wear protective glasses when disinfecting under ultraviolet light with a peak wavelength of 253.7nm, and wear protective clothing when necessary to avoid direct exposure to human skin, mucous membranes and eyes.
9. It is strictly prohibited to use in places where flammable and explosive substances are stored.
10. The power plug should be unplugged during maintenance or standby.
11. The storage environment should be: Relative humidity <80%, no corrosive air and light should be upward during transportation.

V-Sabre Lamp Adapter Installation

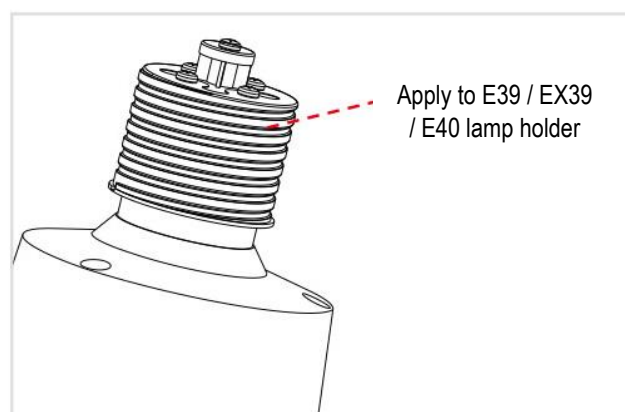
1

Knob the adapter to lamp base

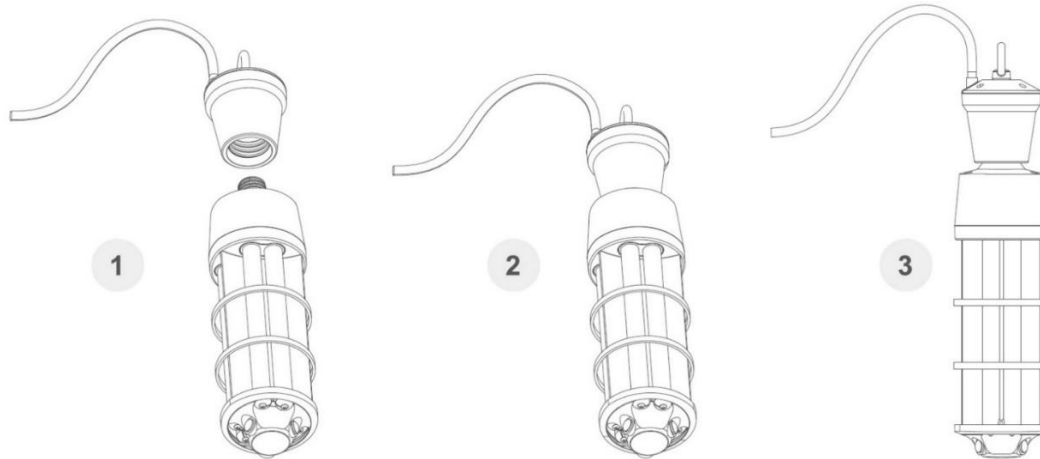


2

Check and make sure it's tighten

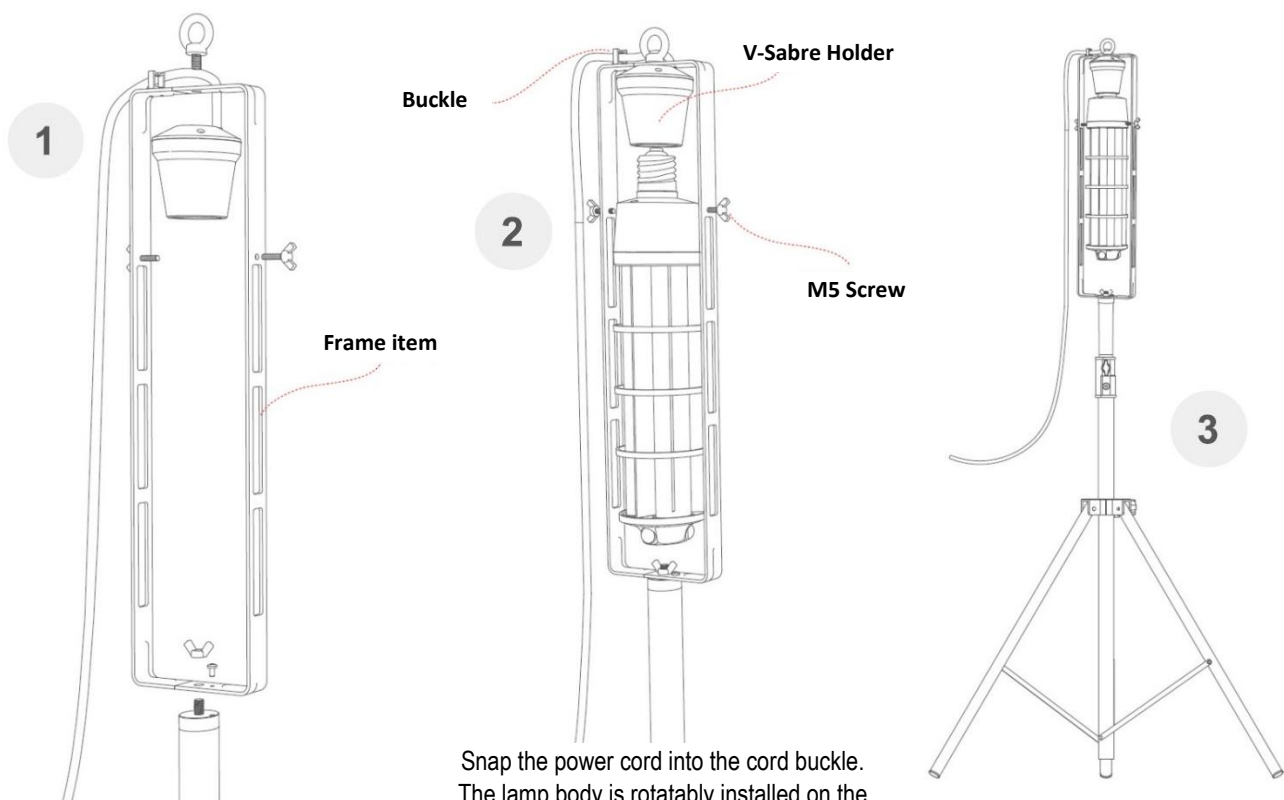


V-Sabre Holder Installation



Note: If the purchased lamp is an E26 / E27 base, please use the lamp holder above with the adapter (E26 / E27 to E40 / E39 / EX39)

Tripod Installation



1
Install the frame according to the above view.

2
Snap the power cord into the cord buckle. The lamp body is rotatably installed on the lamp holder. Adjust and tighten the position of the M5 screw. Ensure that the light is centered vertically in the frame.

3
Adjust the frame height to ensure the stand stable and complete the installation.

Warranty

Within 1 year after the purchase date, you can get free warranty service if the defective caused by the manufacturing process, technology, and components.

The free service cannot be obtained under the following circumstances:

1. Beyond the effective service or free maintenance period.
2. Man-made damage caused by improper use. For example, improper installation, use not in accordance with the instructions, damage caused by incorrect use, etc. Damage caused by transportation or other accidents. Other damage caused by force majeure (such as natural disaster, abnormal voltage, etc.)
3. The normal product aging, wearing, etc., which does not affect the normal use of the product.

Other non-product design, technology, manufacturing, quality and other problems cause failure and damage.