

Total LED Lighting Upgrade for GULFSTREAM Models GII, GIII, GIV, GV, G280



EASA MODIFICATION APPROVED

Please, check our website www.aveoengineering.com/stc for latest updated list of additions to the MODs

AVEO
ENGINEERING

EASA Modification – Gulfstream

Replacement of exterior legacy lights with Aveo Highest Brightness Lights in the Industry By Far!



Astrea™
Landing Light
Coming soon



Nebulon™
Wingtip Position Light



Pegatron™
Rear Position Light



Thor LLP™
Taxi Light



Nubion™
Wingtip Taxi / Recognition
Wingtip Downwash Lights



SmartStrobe™
Strobe Light

Key Features of Aveo LED Lights

Unmatched Performance

AVEO makes by far the finest aircraft lights in the industry and that is why they are used on space station astronaut taxi vehicles, high altitude reconnaissance aircraft, business jets, commercial airliners, military fighters and transports and more than 80% of the military UAVs of the world, along with almost every brand of helicopter in the world. Aveo is the choice of most every major aircraft OEM in the world.

Aveo lights ALL have the latest 2020 available technologies incorporated and no other light manufacturer can match the intensity, the weight, or the durability. It is why there are more than 130 Gulfstream jets already flying with Aveo's EASA and FAA approved solutions. Coming soon are special disinfecting lights for lavatories and cockpits to keep the crew and passengers safe from pathogens.

More Light for Less Power and Weight

No external power supplies save weight. Higher Intensities mean safer flying.

Proprietary Technologies

AVEO was the first to incorporate the power supply inside the light more than 15 years ago. Aveo also integrates its proprietary circuit board technologies as well as NTC thermal management, as well as in-house optics that are optimized for every application.

Aveo lights remain the brightest and winner in any side-by-side competitive comparison and these lights are installed on Gulfstream jets every single day in Savannah, Georgia service center too, but you can get yours direct and save thousands.



Aveo SmartStrobe™ AC/DC Converter



Aveo SmartStrobe™ PCB

Comparison

Landing Lights Comparison



Aveo PAR36 Light



Competition PAR36 Light

Position Lights Comparison



Honeywell Astreon

Aveo Nebulon

Nebulon has lower weight due to no additional external power supply and also twice as bright

Nebulon™

Wing Position Light

PN-Green: AVE-WPG-51G-402
PN-Red: AVE-WPR-51G-401



Dimensions:

48.2 mm x 54.1 mm x 69.6 mm
1.90" x 2.13" x 2.74"

Weight:

70 g / 0.154 lb

Operating Voltage Range:

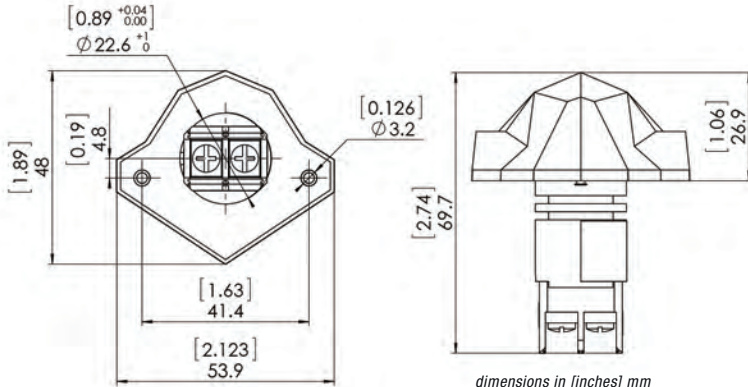
18-36 VDC

Input Power (@28V):

7.7 W (Green), 7.42 W (Red)

Input Current (@28V):

0.275 A (Green), 0.265 A (Red)



SmartStrobe™

Wing Strobe Light

PN: AVE-IS30ANCASAS-02G



Dimensions:

143.1 mm x 61 mm x 70 mm
5.63" x 2.40" x 2.75"

Weight:

770 g / 1.697 lbs

Operating Voltage Range:

96 – 129 VAC, 50 – 440 Hz

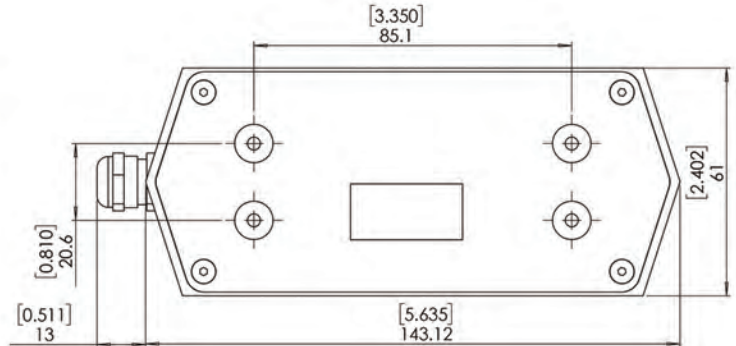
Input Power (in pulse):

69 W (@115V)

Input Current (in pulse):

0.625 A (@115V)

Repetition Flash Rate of Strobe: 50 cycles per minute
Features Aveo LED Check for continuous health monitoring



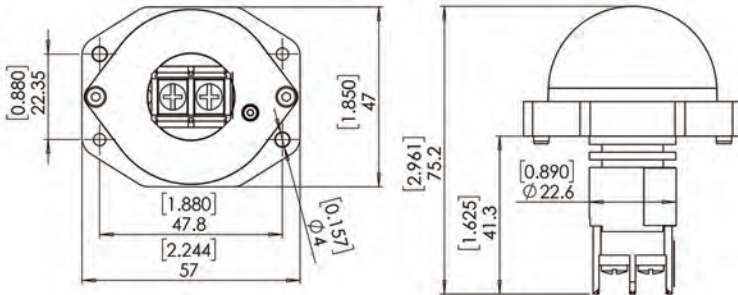
Pegatron™

Rear Position Light

PN: AVE-POSW-74G-401



Dimensions:	47 mm x 57 mm x 75.2 mm 1.85" x 2.24" x 2.96"
Weight:	106 g / 0.233 lbs
Operating Voltage Range:	18-36 VDC
Input Power (@28V):	7.7 W
Input Current (@28V):	0.22 A



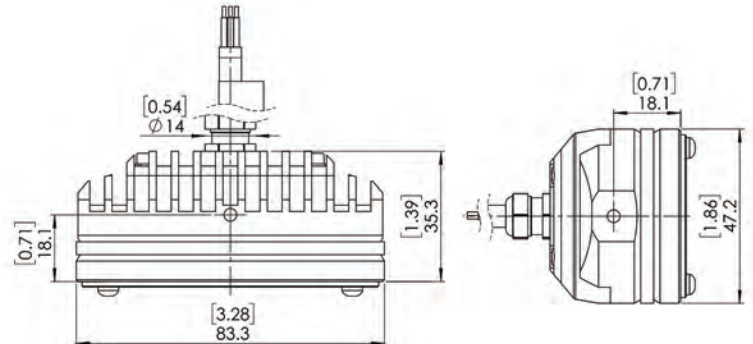
Nubion™

Landing or Taxi Light

PN(13°): AVE-N09PANSNL-1WA
PN(38°): AVE-N09PANSNT-3WA



Dimensions:	83.3 mm x 47.2 mm x 39.2 mm 3.28" x 1.86" x 1.54"
Weight:	195 g / 0.429 lbs
Operating Voltage Range:	18-36 VDC
Input Power (@28V):	25 W
Input Current (@28V):	0.89 A
Landing Lens (13° beam):	37,431 Cd
Taxi Lens (38° beam):	5,977 Cd



Thor LLP™

Taxi Light

PN: AVE-TH36TW-TD52



Dimensions:

102 mm (diameter) x 72.8 mm
4.02" (diameter) x 2.87"

Weight:

521 g / 1.148 lbs

Operating Voltage Range:

9-36 VDC

Input Power (@28V):

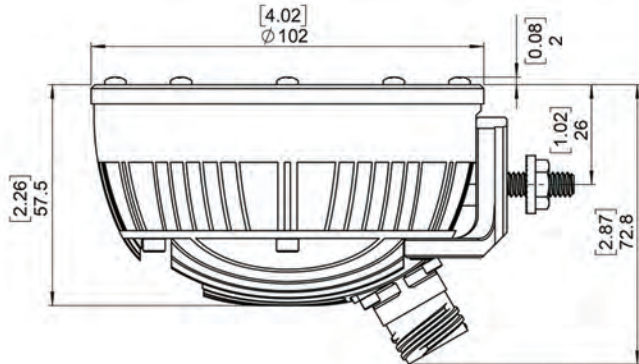
63 W

Input Current (@28V):

2.25 A

Intensity (8° x 11°):

82,300 Cd



Astrea™

Landing Light

PN: AVE-GL45LW-TR1



Dimensions:

152 mm x 71.7 mm
5.98" x 2.82"

Weight:

1490 g / 3.284 lbs

Operating Voltage Range:

18-36 VDC

Input Power (@28V):

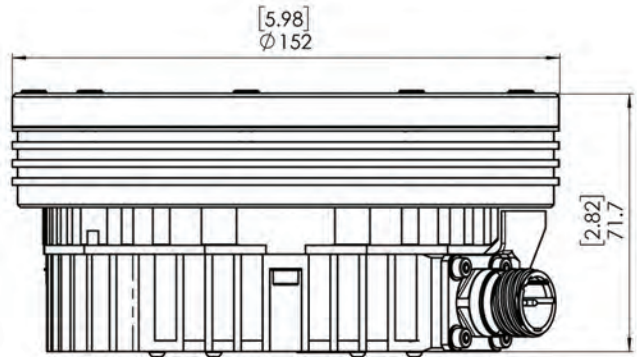
137 W

Input Current (@28V):

4.93 A

Intensity (7°):

601,000 Cd



TheAviator™

TheAviator™ FAR / DO160 Compliant Aircraft Flashlight Series



Color Selector

Slider Button
for Dimming

25° to 50°
Infinite Zoom

Low Profile
On / Off Push Button

Emergency
3-Band ELT Option

Status Indicator

Logo Customization

Cradle

- World-Class Aveo™ circuitry
- Ni-Cad rechargeable batteries
- Fixed 25° or zoom 25° to 50° lens
- Single or three color light + IR
- DO-160G Environmentally qualified
- Anodized aluminum construction
- IP68 Waterproofness
- Black or silver anodizing color
- Private logo / label available
- Charging / Mounting cradle version
- 12G and 20G shock ratings
- 9-36 VDC cradle charger input
- Over / Under voltage lockout (cradle)
- Battery variations for operating time length
- Low EMI, low self-discharge, overheat protected

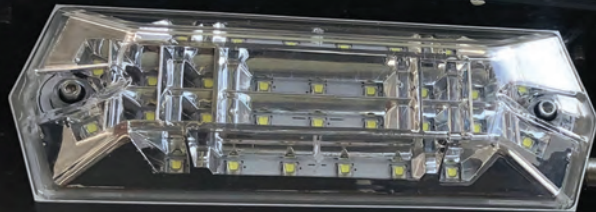
Rechargeable

500 charge cycles

CRADLE or AC/DC ADAPTER AVAILABLE



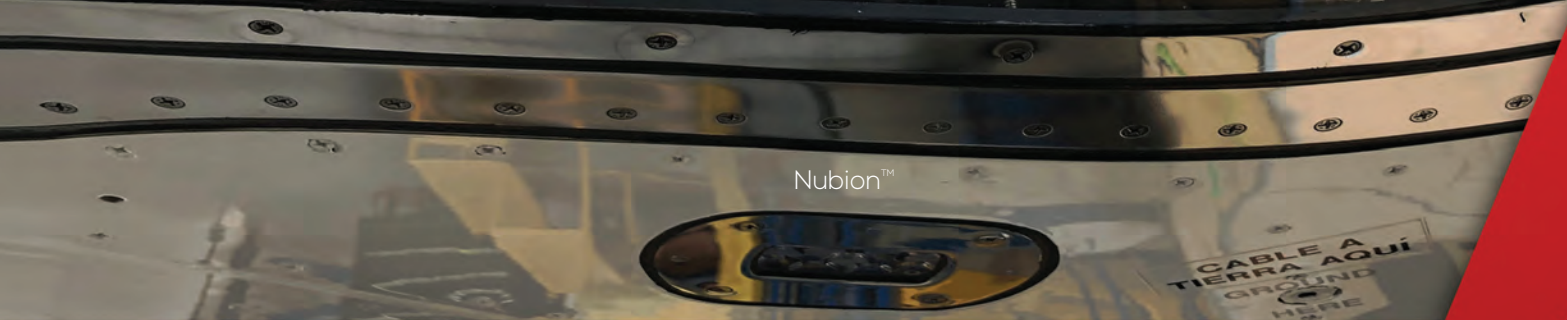
Nebulon™



SmartStrobe™



Nubion™



Nubion™

CABLE A
TIERRA AQUÍ
GROUND
HERE



SmartStrobe™

Nebulon™



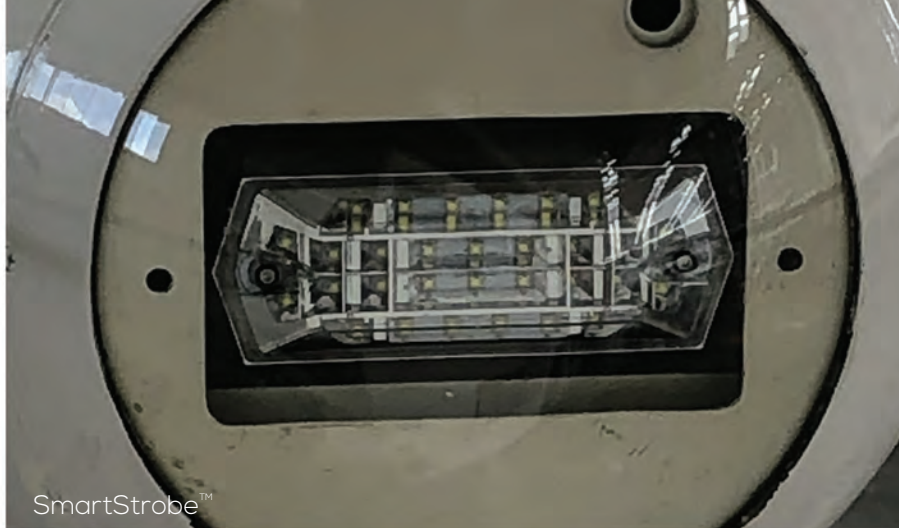
Nebulon™

SmartStrobe™

AVEO
ENGINEERING



Nubion™



SmartStrobe™



Nebulon™



SmartStrobe™



Thor LLP™



Pegatron™



Pegatron™

AVEO
ENGINEERING



Get in Touch

USA

Aveo Engineering, LLC
4863 N.W. Palm Coast Parkway Suite 5
Palm Coast, FL 32137

Phone: +1-631-935-8483
Email: damien@aveoengineering.com

Europe

Aveo Engineering Group, s.r.o.
Drasov 202, 261 01 Drasov
Czech Republic

Phone: +420-731-116-567
Email: michal@aveogroup.com



www.aveoengineering.com

AVEO
ENGINEERING