



Installation Manual

# **EYEBEAM MINI**

LED swivel light with TOUCH sensing control

**Table of Contents**

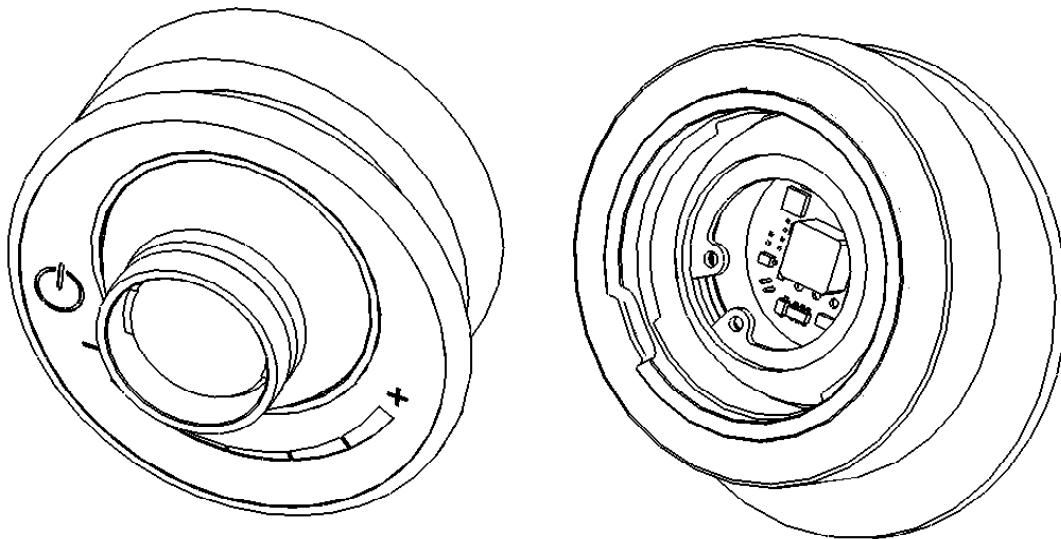
1. GENERAL INFORMATION.....3  
MAIN FEATURES: .....3  
2. WIRING DIAGRAM.....4  
3. CONTROL & POWER INPUTs: .....4  
4. WIRING CHART.....5  
5. TECHNICAL SPECIFICATION .....6  
6. TECHNICAL DRAWING .....7  
7. MOUNTING HOLE RECOMMENDATION.....8  
8. INSTALLATION INSTRUCTION .....8  
9. FACTORY SERVICE POLICIES.....9

## 1. GENERAL INFORMATION

Aveo's incredible capacitive-sensing technology from its highly popular EyeBeam Touch™ products has now been engineered into an even smaller footprint, providing a one-color LED cabin/cockpit/area lighting product for those with limited installation space or only simple lighting needs.

With one light finger touch you can control the power and the brightness scale and the light easily swivels to put the beam where you want it. No mechanical switches to fail, no bulbs to burn out. The EyeBeam Mini™ comes with a variety of easily-applied color faceplates, with standard colors of silver and black. Volume orders for custom colors and private label are always welcome. The EyeBeam Mini™ is made from anodized aircraft grade aluminum.

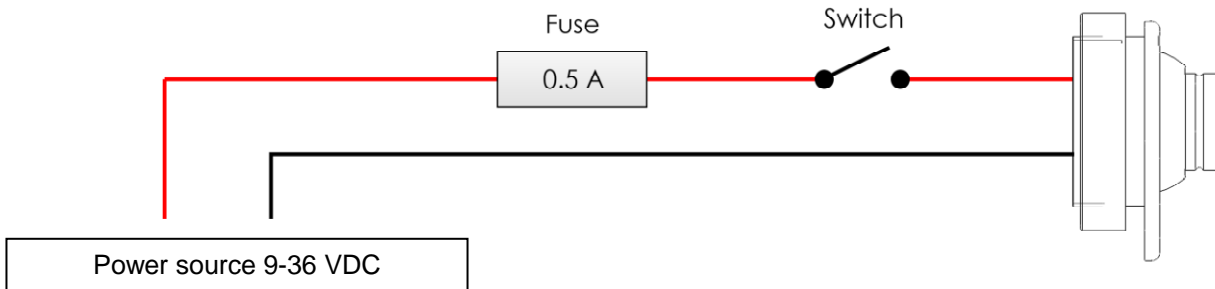
Cockpit and cabin lighting, especially on aircraft, helicopters, boats, recreational vehicles and trucks are plagued by problems from vibration... the EyeBeam™ product line from AveoEngineering overcomes this with a vibration-proof product that has the exclusive Aveo lifetime warranty.



### MAIN FEATURES:

- 9-36 volt DC input power range
- no external power supply
- swiveling light permits light beam control
- capacitive sensing touch controls
- no mechanical switches to fail
- unmatched circuit technology

## 2. WIRING DIAGRAM



## 3. CONTROL & POWER INPUTs:

**Red color wire** - positive power supply lead

**Black color wire** - negative power supply lead

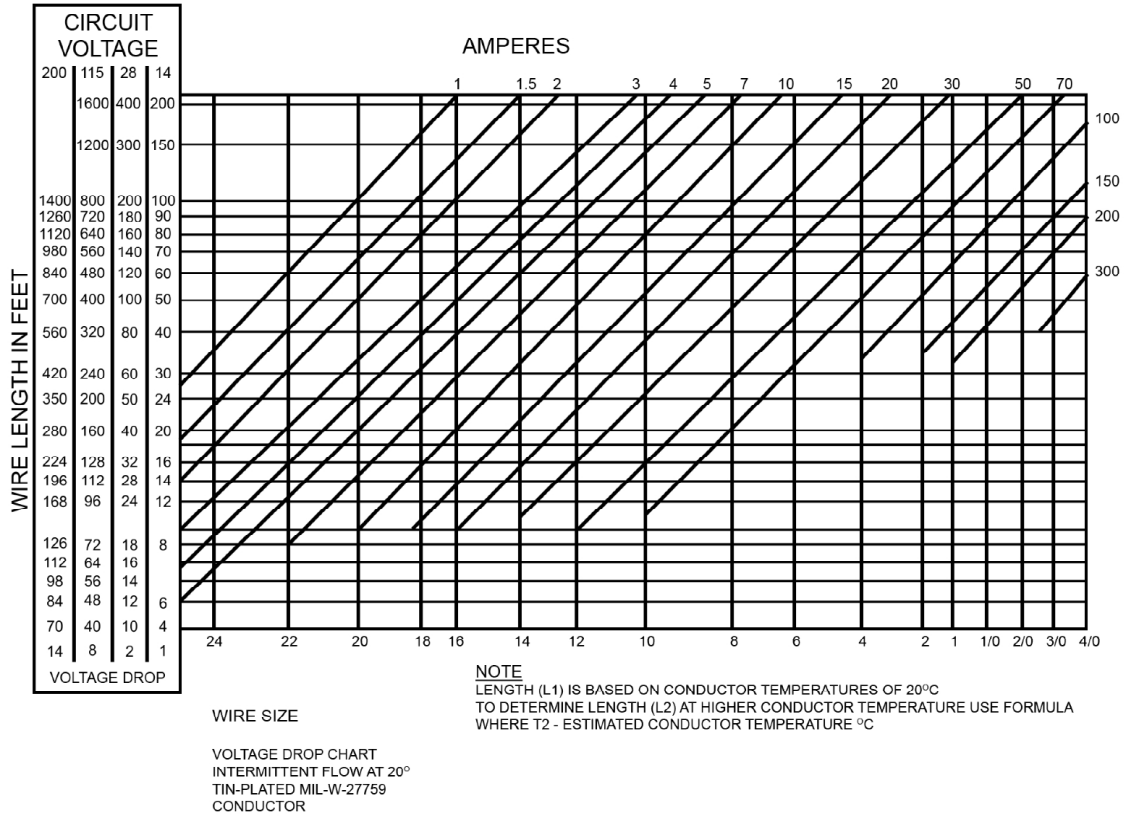
**Pigtail length:** 180 mm / 7.08"

End of the supplied pigtail is 5mm stripped wire, no coating

**Wire size:** 0.5 mm<sup>2</sup> / 20 AWG

**Wire outside diameter:** 1.5 mm / 0.06"

4. WIRING CHART

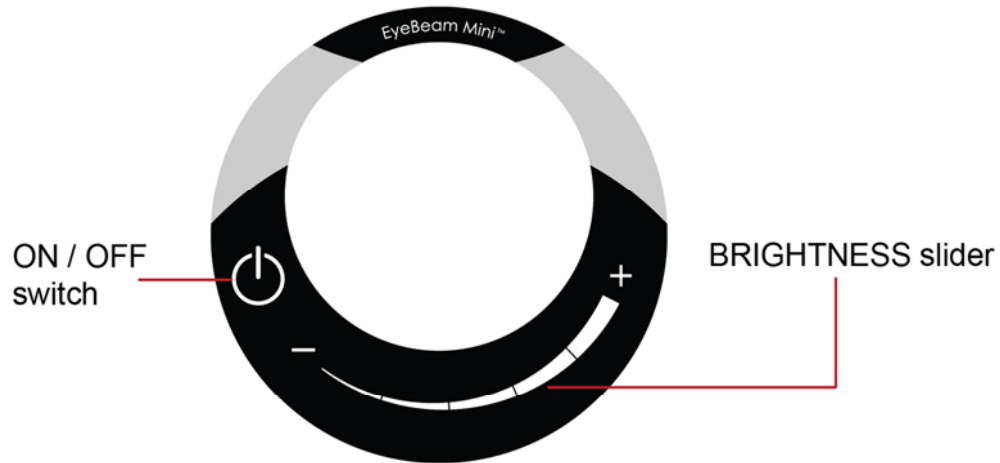


## 5. TECHNICAL SPECIFICATION

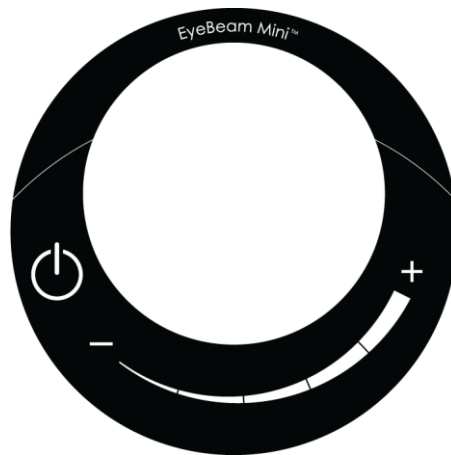
Diameter:	63 mm 2.48"
Weight:	80 g / 2.82 oz
Operating Voltage Range:	9 – 36 VDC
Nominal Voltage:	12V or 24V
Current ( @12V):	0.2A (full brightness)

Faceplate:

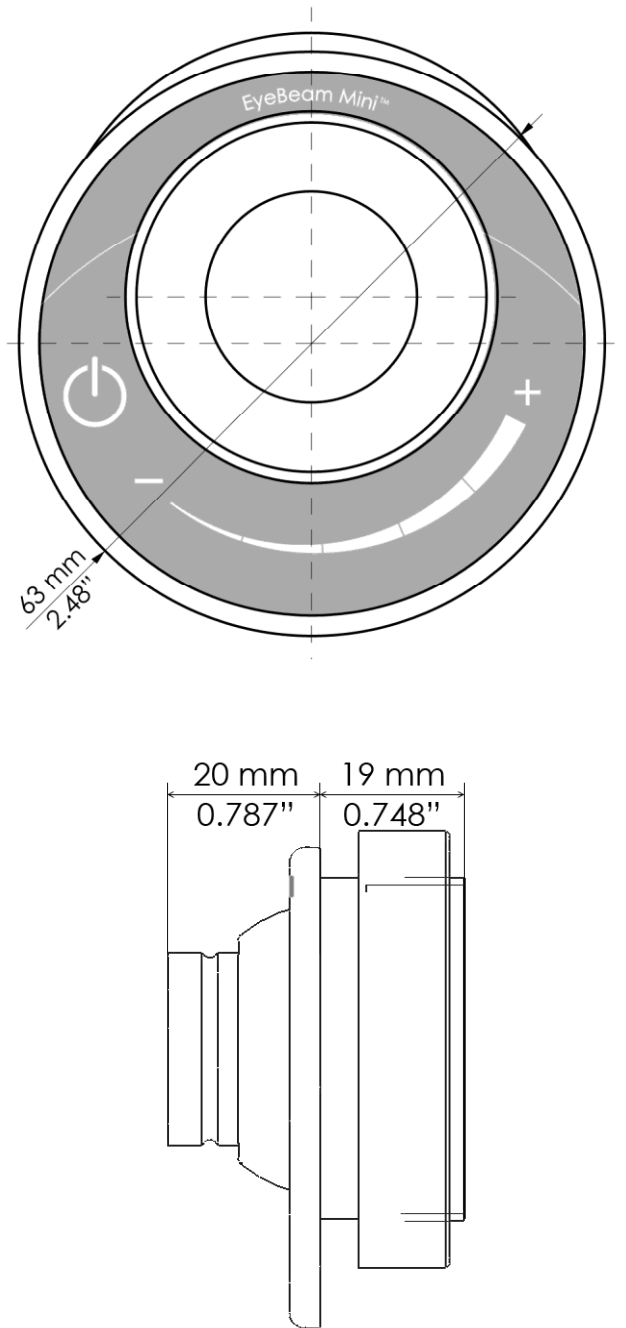
*Silver Version*



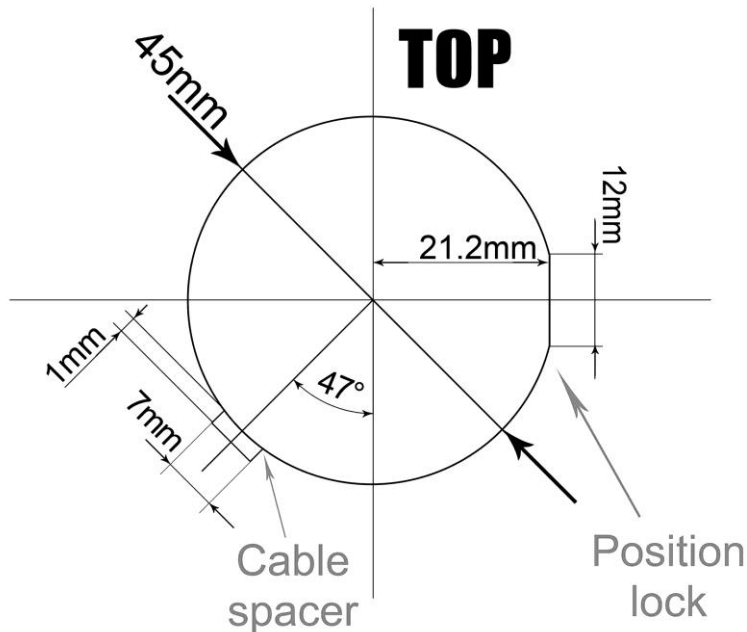
*Black Version*



6. TECHNICAL DRAWING



## 7. MOUNTING HOLE RECOMMENDATION



## 8. INSTALLATION INSTRUCTION

### a. Unpacking and Inspection

Verify all ordered parts listed were received and sustained no shipping damage. Where evidence of shipping damage exists, save the shipping carton and packing material to help substantiate your claim to the shipping company. Retain the original shipping carton and packing material in case you need to ship the unit for service.

### b. Orientation

The components can be positioned in any orientation, however the EyeBeam's are to be positioned to project light as intended.

### c. Cooling

The EyeBeam Mini components are not equipped with air vents or fans, which can be blocked and therefore this consideration is not required.



## **9. FACTORY SERVICE POLICIES**

Service of an EyeBeam Mini component performed at the factory typically includes an overhaul consisting of a thorough inspection, repair as needed and functional tests. Prepare a packing slip that includes the part number(s) and serial number(s) of the items to be returned, along with a complete description of the problem, requested service and special instructions. The packing slip must also include a contact name, daytime telephone number and return shipping address.

To return an item, securely pack it in the original shipping container, if possible, and ship it to Aveo Engineering Group at following address:

Aveo Engineering Group, s.r.o.  
Příbram Airport (LKPM)  
Drásov 202  
261 01 Drásov  
Czech Republic  
Tel.: +420 731 116 567  
Fax: +420 326 531 098  
e-mail: [michal@aveogroup.com](mailto:michal@aveogroup.com)