



Sensors > Temperature Sensors > NTC Thermistors Sensors & Probes > NTC Probes & Assemblies



Sensor Type: HVAC/R

Sensor Connector Type: Open End

Resistance @ 25°C [KΩ]: 10 kΩ

T<sub>ref</sub> for Resistance: 25 °C [ 77 °F ]

β-Value(25/85): 3435 K

## Features

### Product Type Features

Sensor Type	HVAC/R
-------------	--------

### Electrical Characteristics

Resistance @ 25°C [KΩ]	10 kΩ
β-Value(25/85)	3435 K

### Mechanical Attachment

Wire Length	1000 mm[39 in]
Wire/Cladding	24 AWG Stranded Insulated Leads

### Usage Conditions

Operating Temperature Range	-40 – 125 °C[-40 – 257 °F]
T <sub>ref</sub> for Resistance	25 °C[77 °F]
Temperature Accuracy	± .22 @ 25 °C
Tolerance Resistance	±1 %

### Packaging Features

Package	Overmold TPE
---------	--------------

### Other

Sensor Connector Type	Open End
-----------------------	----------

## Product Compliance

[For compliance documentation, visit the product page on TE.com>](#)



EU RoHS Directive 2011/65/EU	Compliant
EU ELV Directive 2000/53/EC	Not Yet Reviewed
China RoHS 2 Directive MIIT Order No 32, 2016	No Restricted Materials Above Threshold
EU REACH Regulation (EC) No. 1907/2006	Current ECHA Candidate List: JAN 2022 (223) Candidate List Declared Against: JUL 2021 (219) SVHC > Threshold: Not Yet Reviewed
Halogen Content	Not Yet Reviewed for halogen content
Solder Process Capability	Not reviewed for solder process capability

Product Compliance Disclaimer

This information is provided based on reasonable inquiry of our suppliers and represents our current actual knowledge based on the information they provided. This information is subject to change. The part numbers that TE has identified as EU RoHS compliant have a maximum concentration of 0.1% by weight in homogenous materials for lead, hexavalent chromium, mercury, PBB, PBDE, DBP, BBP, DEHP, DIBP, and 0.01% for cadmium, or qualify for an exemption to these limits as defined in the Annexes of Directive 2011/65/EU (RoHS2). Finished electrical and electronic equipment products will be CE marked as required by Directive 2011/65/EU. Components may not be CE marked. Additionally, the part numbers that TE has identified as EU ELV compliant have a maximum concentration of 0.1% by weight in homogenous materials for lead, hexavalent chromium, and mercury, and 0.01% for cadmium, or qualify for an exemption to these limits as defined in the Annexes of Directive 2000/53/EC (ELV). Regarding the REACH Regulation, the information TE provides on SVHC in articles for this part number is based on the latest European Chemicals Agency (ECHA) 'Guidance on requirements for substances in articles' posted at this URL: <https://echa.europa.eu/guidance-documents/guidance-on-reach>

### Compatible Parts



Also in the Series | **MEAS PRO4**



NTC Probes & Assemblies(4)

## Customers Also Bought



TE Part #1658614-1  
37 POS HDF RCPT, AP, LEAD FREE



TE Part #926307-1  
6P UNIV.M-N-L.CAP



TE Part #2132230-4  
EP2.5 Shrouded HDR ASSY 4P VER



TE Part #1394512-1  
EINZELLEITDICHTG,BL



TE Part #5-1618388-8  
LEV200A6NAA=RELAY, SPST-NO



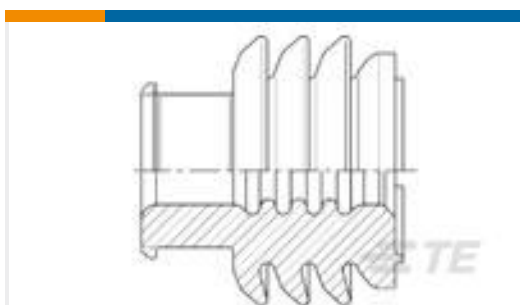
TE Part #2329386-2  
PN OFF/ON FC RED M1 TERM IP68  
500MM LHS



TE Part #1241418-4  
AMP MCP 6.3/4.8K, CONTACT, SWS



TE Part #2-2834075-2  
2P REC, MINIATURE WATERPROOF  
CONN.BLACK



TE Part #1355437-2  
MCP9,5 EINZELDICHTG

## Documents

### Datasheets & Catalog Pages

[Single Insulated TPE OM Probe 5x15mm](#)

English