



Sensors > Temperature Sensors > Digital Temperature Sensors



Model Number: **TSYS02D**

Digital Temperature Sensor Type: **Digital IC Temperature Sensor**

Digital Temperature Sensor Package: **TDFN8**

Output/Span Resolution: **16 bit**

Temperature Sensor Accuracy: **± .2 °C**

Features

Product Type Features

Model Number	TSYS02D
Digital Temperature Sensor Type	Digital IC Temperature Sensor

Electrical Characteristics

Digital Temperature Sensor Supply Voltage	2.2 – 3.6 V
Supply Current (Max)	18 µA

Termination Features

Wire/Cladding/Connection	SMD
--------------------------	-----

Dimensions

Digital Temperature Sensor Thickness	.098 in
Digital Temperature Sensor Length	2.5 mm[.098 in]
Digital Temperature Sensor Width	2.5 mm
Digital Temperature Sensor Height	.75 mm[.029 in]

Usage Conditions

Accuracy T_Range	-5 – 50 °C
Operating Temperature Range	-40 – 125 °C[-40 – 257 °F]

Operation/Application

Output/Span Resolution	16 bit
Temperature Sensor Accuracy	± .2 °C



Output Interface	I2C
------------------	-----

Packaging Features

Digital Temperature Sensor Package	TDFN8
------------------------------------	-------

Product Compliance

[For compliance documentation, visit the product page on TE.com>](#)

EU RoHS Directive 2011/65/EU	Compliant
EU ELV Directive 2000/53/EC	Not Yet Reviewed
China RoHS 2 Directive MIIT Order No 32, 2016	No Restricted Materials Above Threshold
EU REACH Regulation (EC) No. 1907/2006	Current ECHA Candidate List: JAN 2022 (223) Candidate List Declared Against: JAN 2021 (211) SVHC > Threshold: Not Yet Reviewed
Halogen Content	Not Yet Reviewed for halogen content
Solder Process Capability	Not reviewed for solder process capability

Product Compliance Disclaimer

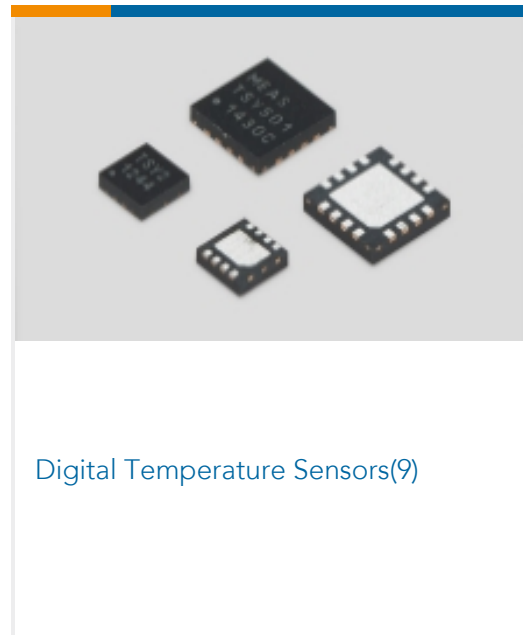
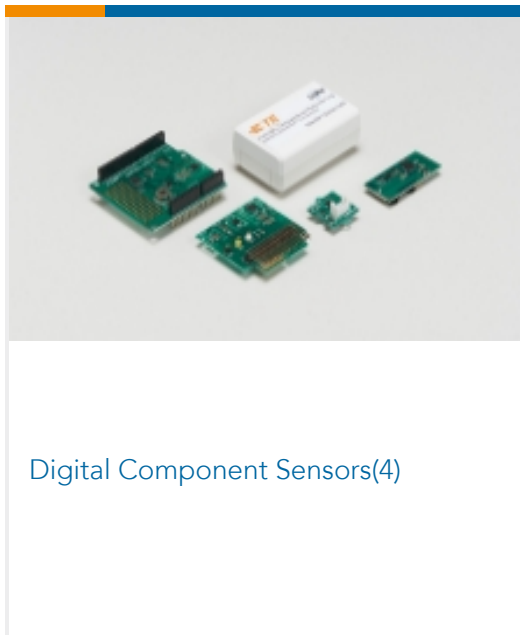
This information is provided based on reasonable inquiry of our suppliers and represents our current actual knowledge based on the information they provided. This information is subject to change. The part numbers that TE has identified as EU RoHS compliant have a maximum concentration of 0.1% by weight in homogenous materials for lead, hexavalent chromium, mercury, PBB, PBDE, DBP, BBP, DEHP, DIBP, and 0.01% for cadmium, or qualify for an exemption to these limits as defined in the Annexes of Directive 2011/65/EU (RoHS2). Finished electrical and electronic equipment products will be CE marked as required by Directive 2011/65/EU. Components may not be CE marked. Additionally, the part numbers that TE has identified as EU ELV compliant have a maximum concentration of 0.1% by weight in homogenous materials for lead, hexavalent chromium, and mercury, and 0.01% for cadmium, or qualify for an exemption to these limits as defined in the Annexes of Directive 2000/53/EC (ELV). Regarding the REACH Regulation, the information TE provides on SVHC in articles for this part number is based on the latest European Chemicals Agency (ECHA) 'Guidance on requirements for substances in articles' posted at this URL: <https://echa.europa.eu/guidance-documents/guidance-on-reach>

Compatible Parts

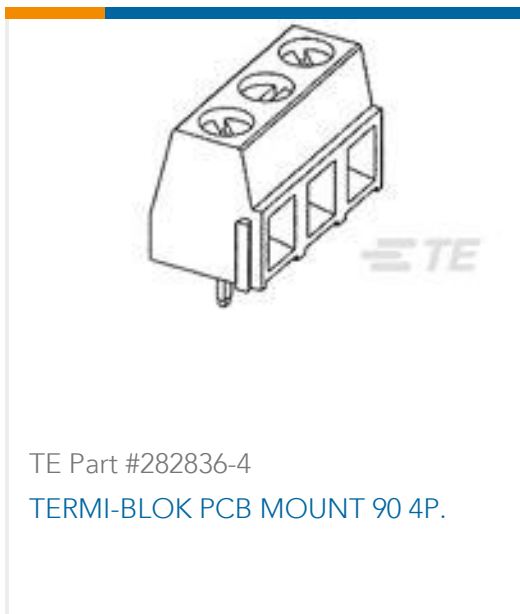
 <p>TE Part # G-NIMO-005 0.2 DEG C ACCURACY I2C TEMP SENSOR</p>	 <p>TE Part # 10208995-00 0.4 DEG C ACCURACY I2C TEMP SENSOR</p>	 <p>TE Part # 10208996-00 1.2 DEG C ACCURACY I2C TEMP SENSOR</p>	 <p>TE Part # 10212113-00 0.5 DEG C ACCURACY I2C TEMP SENSOR</p>
--	---	---	---



Also in the Series | MEAS TSYS



Customers Also Bought



Documents

[CAD Files](#)

[3D PDF](#)

[3D](#)

[Customer View Model](#)

[ENG_CVM_CVM_G-NIMO-003_1.2d_dxf.zip](#)

English



Customer View Model

[ENG_CVM_CVM_G-NIMO-003_1.3d_igs.zip](#)

English

Customer View Model

[ENG_CVM_CVM_G-NIMO-003_1.3d_stp.zip](#)

English

By downloading the CAD file I accept and agree to the [Terms and Conditions](#) of use.

Datasheets & Catalog Pages

[TSYS02-FAMILY](#)

English